

## SF8 Bollard



### Pathway Lighting - Even Illumination

The Bronzelite SF8 bollard is perfect for low level lighting of walkways, driveways, deck and pool areas.

The Type V optical assembly with specular hammertone aluminum internal cone projects even illumination in a 360 degree pattern.

Fully gasketed to keep out moisture, dirt and insects. Optional CraftStone™ finish is highly weather resistant and bonded to the aluminum substrate.

## Specifications

### Optical Assembly:

Type V. Specular hammertone aluminum internal cone. Optically designed, highly polished ALZAK® aluminum, internal louver assembly. Optically designed, white powdercoated aluminum, internal louver assembly. 8" square, 3/16" thick U.V. stabilized, clear polycarbonate lens.

### Fixture Column:

3003-H14 formed aluminum alloy. Head is secured to the bollard tube with a single stainless steel allen head screw for easy removal for relamping. 8" sq. 3003-H14 formed aluminum alloy with a wall thickness of 0.090". A weatherproof ballast assembly isolates the ballast from water and heat for longer life. All non-ferrous fasteners prevent corrosion and ensure longer life.

### Lamping:

MH and HPS Medium base: E17. Incandescent Medium Base A19. 28W CFL (GX32D-3).

### Electrical Assembly:

Key-slotted Ballast Assembly is mounted to an aluminum plate, which is mounted inside the base. Quick disconnects for easy installation and removal. 4kv rated medium base porcelain socket. Nickel-plated screw shell with center contact. 28W Fluorescent socket is a GX32D-3.

### Installation and Mounting:

Internal cast aluminum base plate is secured to anchor foundation by four (4) 3/8-16 x 8" galvanized steel bolts and nuts on a 4-3/4" bolt circle. (Use factory supplied template.). A twist-lock action mates the base plate casting with lower bollard casting, which is welded to the bottom of the bollard extrusion. Base of bollard can be leveled with over and under nut. One set screw is used to secure the bollard to the base plate

### Ballast:

All HID ballasts are core and coil and regulated with power factors better than 90% (HPF). Ballast provides +/- 5% lamp power regulation with +/- 10% input voltage regulation. Ballasts are factory pre-wired and tested. Metal halide ballasts are capable of starting at -20° F or -30° C and HPS at -40°F or -40°C. NOTE: All ballasts are EISA / Title 20 / Title 24 compliant where applicable. Fluorescent ballast is electronic. Ballast is capable of starting at 0° F or -18° C. Ballast is factory wired and tested.

### Finish:

Black (BLK), Dark Bronze (DB) and Dark Green (DGRN) finishes are thermoset polyester powdercoat. Verde (VRD) finish is hand-rubbed over a black thermoset polyester powdercoat. Craftstone finish is highly weather-resistent and bonded to the aluminum substrate, (L) Limestone and (S) Sandstone.

### Warranty:

Three year limited warranty.

### Certification:

UL Listed to U.S. and Canadian safety standards for wet locations.

# SF8 Bollard

**Project:**

**Fixture Type:**

**BLK**=Black  
**DB**=Dark Bronze  
**L**=Limestone  
**S**=Sandstone

**KF**=Type V Cone \*2  
**KLS**=Specular Louvers  
**KLW**=White Painted Louvers

**120**=120V  
**208**=208V  
**240**=240V  
**277**=277V  
**347**=347V

## Ordering Logic

Wattage/Lamp	Model No.	Finish	Optics	Voltage	Socket
150W INC A19 *1	SF8150I	( )	( )	( )	Medium
28W PLC *1	SF8028PF	( )	( )	( )	GX32P-3
50W Metal Halide E17	SF8050MH	( )	( )	( )	Medium
70W Metal Halide E17	SF8070MH	( )	( )	( )	Medium
100W Metal Halide E17	SF8100MH	( )	( )	( )	Medium
50W High Pressure Sodium E17	SF8050HPS	( )	( )	( )	Medium
70W High Pressure Sodium E17	SF8070HPS	( )	( )	( )	Medium
100W High Pressure Sodium E17	SF8100HPS	( )	( )	( )	Medium

**Note: Lamp not included.**

\*1 Available in 120V (E) only.

\*2 Cone optics (KF) not available with PLC lampping (28F).

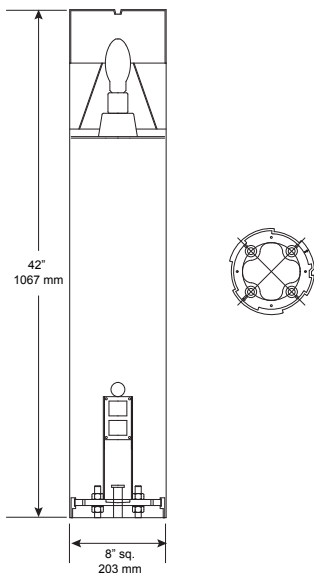
**Model No.:**

**Voltage:**

**Finish:**

**Optics:**

## Dimensions



**Project Notes:**

**Approval:**

Any dimension on this sheet is to be assumed a reference dimension and used for information purposes only. It does not govern manufacturing or inspection requirements.

**Bronzelite®**

100 Craftway Drive • Littlestown, PA 17340  
 800 273-1569 • Fax 717 359-9545 [www.bronzelite.com](http://www.bronzelite.com)

Some luminaires use fluorescent or high intensity discharge (HID) lamps that contain small amounts of mercury. Such lamps are labeled "Contains Mercury" and/or with the symbol "Hg." Lamps that contain mercury must be disposed of in accordance with local requirements. Information regarding lamp recycling and disposal can be found at [www.lamprecycle.org](http://www.lamprecycle.org)