

## SL Series Beacons



SL6000

SL7000

SL8000

### Heavy Duty - Compact Size

The Bronzelite SL Series beacons feature compact size and architectural styling. They are perfect for low level lighting of commercial walkways, driveways, deck and pool areas. The cylindrical fresnel lens enables the SL6000 beacons to project even illumination in a 360° pattern. The series uses incandescent, compact fluorescent, mercury vapor or high pressure sodium sources.

The cylindrical fresnel lens and half shield head enable the SL7000 beacons to project even illumination in a 180 degree pattern.

The cylindrical lens and louvered head enable the SL8000 beacons to project even illumination in a 360 degree pattern while reducing glare and directing light downward. A removable 180 degree internal shield is provided.

Designed for heavy-duty commercial applications, the SL series fixture heads are die-cast aluminum, fully gasketed to keep out moisture, dirt and insects. The polyester composite lower housing ensures exceptional durability in any type of soil.

## Specifications

### Head Assembly:

Die-cast aluminum with corrosion-resistant polyester powder coat finish. Access for relamping is by four stainless steel fasteners. Available in three styles: open, half shield and louvers.

### Housing:

Single piece, compression molded polyester composite.

### Optic Assembly:

Thermal shock resistant glass lens with high temperature, molded silicone gasket for positive sealing of the optical chamber.

### Sockets:

Sockets for incandescent and HID are all 4KV pulse rated high temperature porcelain. Sockets for fluorescent are high temperature plastic.

### Ballast:

Ballasts for HID are high power factor core and coil, multi-tap. Ballasts for fluorescent are electronic, universal voltage 120-277 VAC, 50 or 60Hz.

### Finish:

Black (BLK), White (WHT), Dark Bronze (DB) and Dark Green (DGRN) finishes are thermoset polyester powdercoat. Verde (VRD) finish is hand-rubbed over a black thermoset polyester powdercoat.

### Warranty:

Three year limited warranty.

### Certification:

UL Listed to U.S. and Canadian safety standards for wet locations.

# SL Series Beacons

Project:

Fixture Type:

SL6=Ribbed  
SL7=180° Cutoff  
SL8=Louver

120=120V  
208=208V  
240=240V  
277=277V

BLK=Black  
DB=Dark Bronze  
WHT=White  
VRD=Verde  
DGRN=Dark Green

## Ordering Logic

Wattage/Lamp	Model No.	Voltage	Finish	Socket
35W High Pressure Sodium E17	( )035HPS	120	( )	Medium
50W High Pressure Sodium E17	( )050HPS	120	( )	Medium
35W Metal Halide T6	( )035T6	( )	( )	Medium
70W Metal Halide T6	( )070T6	( )	( )	Medium
75W Incandescent A19	( )075I	120	( )	Medium
26W Fluorescent PL-T	( )026F	( )	( )	GX24q-3,4
32W Fluorescent PL-T	( )032F	( )	( )	GX24q-3,4
42W Fluorescent PL-T	( )042F	( )	( )	GX24q-3,4

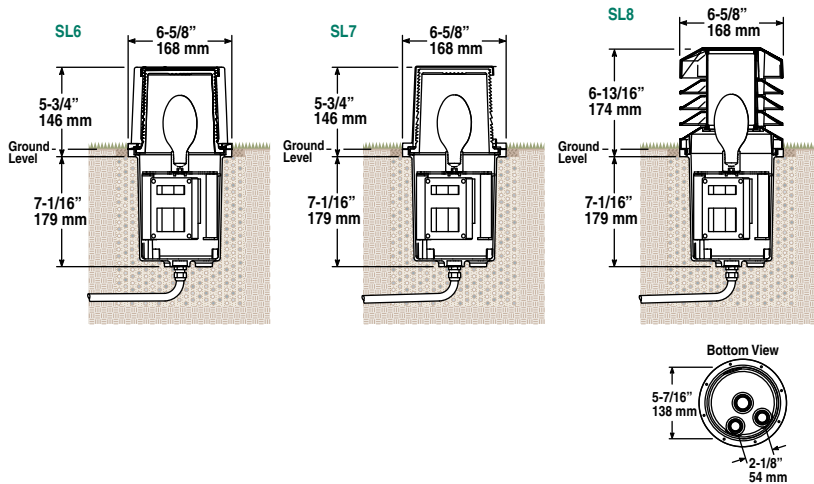
Note: Lamp not included.

Model No.:

Voltage:

Finish:

## Dimensions



Project Notes:

Approval:

Any dimension on this sheet is to be assumed a reference dimension and used for information purposes only. It does not govern manufacturing or inspection requirements.

**Bronzelite**

100 Craftway Drive • Littlestown, PA 17340  
800 273-1569 • Fax 717 359-9545 [www.bronzelite.com](http://www.bronzelite.com)

Some luminaires use fluorescent or high intensity discharge (HID) lamps that contain small amounts of mercury. Such lamps are labeled "Contains Mercury" and/or with the symbol "Hg." Lamps that contain mercury must be disposed of in accordance with local requirements. Information regarding lamp recycling and disposal can be found at [www.lamprecycle.org](http://www.lamprecycle.org)