

R_HD Bollards



Pathway Lighting - Even Illumination

Bronzelite's R_HD1 Series heavy duty bollards provide rugged durability with architectural style. The cylindrical lens and die-cast louvers enable even, glare-free illumination in a 360 degree pattern utilizing incandescent, compact fluorescent, metal halide or high pressure sodium lamps. The louvers also provide cut-off 5 degrees below horizontal. A removable 180 degree internal shield is provided.

Designed for heavy-duty high traffic commercial applications, the R_HD1 Series fixture heads are cast aluminum and fully gasketed to keep out moisture, dirt and insects. The heads are available in three styles (cone, dome and flat) for aesthetic flexibility to fit various architectural styles. The polyester powdercoated, extruded aluminum column and heavy, die-cast aluminum base ensure exceptional durability. In areas where vandalism may be a problem, the column's thicker wall provides piece of mind and extra protection against abuse.

Specifications

Head Assembly:

Sand-cast aluminum roof and die-cast aluminum louvers with corrosion-resistant polyester powder coat finish. Access for relamping is by stainless steel fasteners. Available in three styles: cone, dome and flat.

Fixture Column:

Extruded aluminum with corrosion-resistant polyester powder coat finish. Column is 6.0" in diameter with .280" wall thickness.

Fixture Base:

Heavy-duty die-cast aluminum with three hole bolt pattern using 3/8-16 UNC x 8" galvanized steel anchor bolts and twist-lock feature for easy fixture mounting. Column is secured to base with stainless steel locking screw.

Optic Assembly:

Tempered ribbed glass globe with high temperature, molded silicone gasket for positive sealing of the optical chamber. House side shield is supplied with each fixture (optional use).

Sockets:

Sockets for incandescent and HID are all 4KV pulse rated high temperature porcelain. Sockets for fluorescent are high temperature plastic.

Ballast:

Ballasts for HID are high power factor core and coil, multi-tap. Ballasts for fluorescent are electronic, universal voltage 120-277 VAC, 50 or 60Hz.

Finish:

Black (BLK), White (WHT), Dark Bronze (DB) and Dark Green (DGRN) finishes are thermoset polyester powdercoat. Verde (VRD) finish hand-rubbed over a black thermoset polyester powdercoat. Also available in highly weather-resistant CraftStone™ finishes (Limestone or Sandstone) which are bonded to the aluminum substrate. NOTE: Louvers on CraftStone™ finishes are powdercoated White (WHT).

Warranty:

Three year limited warranty.

Certification:

UL Listed to U.S. and Canadian safety standards for wet locations.

R_HD Bollards

Project:

Fixture Type:

RFHD=Flat
RCHD=Conical
RDHD=Dome

120=120V
208=208V
240=240V
277=277V

BLK=Black
DB=Dark Bronze
WHT=White
VRD=Verde
DGRN=Dark Green
L=Limestone
S=Sandstone

Ordering Logic

| Wattage/Lamp | Model No. | Voltage | Finish | Socket |
|-------------------------------|------------|---------|--------|-----------|
| 50W Metal Halide E17 | ()1050MH | () | () | Medium |
| 70W Metal Halide E17 | ()1070MH | () | () | Medium |
| 100W Metal Halide E17 | ()1100MH | () | () | Medium |
| 35W High Pressure Sodium E17 | ()1035HPS | (120) | () | Medium |
| 50W High Pressure Sodium E17 | ()1050HPS | () | () | Medium |
| 70W High Pressure Sodium E17 | ()1070HPS | () | () | Medium |
| 100W High Pressure Sodium E17 | ()1100HPS | () | () | Medium |
| 100W Incandescent A21 | ()1100I | (120) | () | Medium |
| 26W Fluorescent PL-T | ()1026F | () | () | GX24q-3,4 |
| 32W Fluorescent PL-T | ()1032F | () | () | GX24q-3,4 |
| 42W Fluorescent PL-T | ()1042F | () | () | GX24q-3,4 |

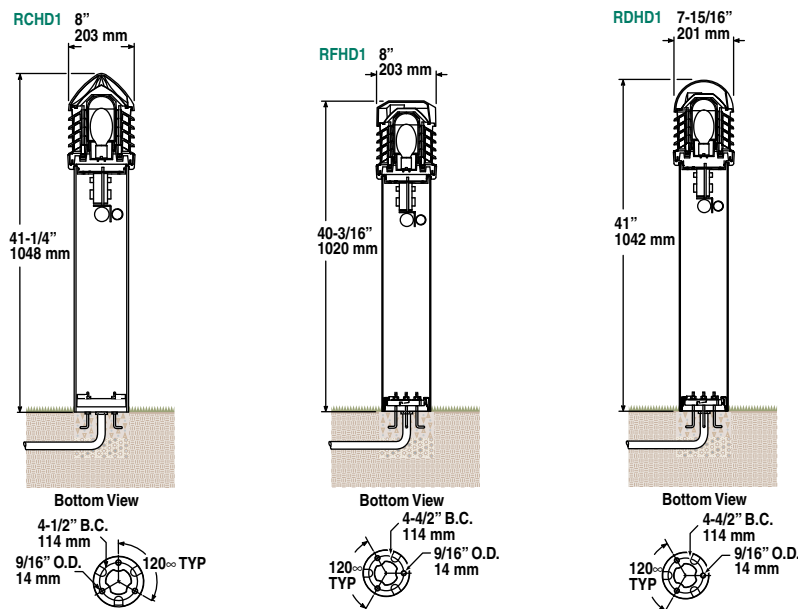
Note: Lamp not included.

Model No.:

Voltage:

Finish:

Dimensions



Project Notes:

Approval:

Any dimension on this sheet is to be assumed a reference dimension and used for information purposes only. It does not govern manufacturing or inspection requirements.

Some luminaires use fluorescent or high intensity discharge (HID) lamps that contain small amounts of mercury. Such lamps are labeled "Contains Mercury" and/or with the symbol "Hg." Lamps that contain mercury must be disposed of in accordance with local requirements. Information regarding lamp recycling and disposal can be found at www.lamprecycle.org

Bronzelite®
100 Craftway Drive • Littlestown, PA 17340
800 273-1569 • Fax 717 359-9545 www.bronzelite.com