

R_B1 Beacon Series



RCB1

RDB1

RFB1

Beacon Area - Walkway

Bronzelite's R_1 Series beacons provide rugged durability with architectural style. The cylindrical lens and die-cast louvers enable even, glare-free illumination in a 360 degree pattern utilizing incandescent, compact fluorescent, metal halide or high pressure sodium lamps. The louvers also provide cut-off 5 degrees below horizontal. A removable 180 degree internal shield is provided.

Designed for heavy-duty commercial applications, the R_1 Series fixture heads are cast aluminum and fully gasketed to keep out moisture, dirt and insects. The heads are available in three styles (cone, dome and flat) for aesthetic flexibility to fit various architectural styles. The polyester composite lower housing ensures exceptional durability in any type of soil.

Specifications

Head Assembly:

Sand-cast aluminum roof and die-cast aluminum louvers with corrosion-resistant polyester powder coat finish. Access for re-lamping is by stainless steel fasteners. Available in three styles: cone, dome and flat.

Housing:

Single piece, compression molded fiberglass reinforced polyester composite with high temperature rating. Integral junction box has two 3/4" conduit entries, re-enterable compound provided for sealing junction box.

Optic Assembly:

Tempered ribbed glass globe with high temperature, molded silicone gasket for positive sealing of the optical chamber. House side shield is supplied with each fixture (optional use).

Sockets:

Sockets for incandescent and HID are all 4KV pulse rated high temperature porcelain. Ballasts for fluorescent are electronic, universal voltage 120-277 VAC, 50 or 60Hz.

Ballast:

Ballasts for HID are high power factor core and coil, multi-tap. Ballasts for fluorescent are electronic, universal voltage 120-277 VAC, 50 or 60Hz.

Finish:

Black (BLK), White (WHT), Dark Bronze (DB) and Dark Green (DGRN) finishes are thermoset polyester powdercoat. Verde (VRD) finish is hand-rubbed over a black thermoset polyester powdercoat. Also available in highly weather-resistant CraftStone™ finishes (Limestone or Sandstone) which are bonded to the aluminum substrate. NOTE: Louvers on CraftStone™ finishes are powdercoated White (WHT).

Warranty:

Three year limited warranty.

Certification:

UL Listed to U.S. and Canadian safety standards for wet locations.

R_B1 Beacon Series

Project:

Fixture Type:

RFB=Flat
RCB=Conical
RDB=Dome

120=120V
208=208V
240=240V
277=277V

BLK=Black
DB=Dark Bronze
WHT=White
VRD=Verde
DGRN=Dark Green
L=Limestone
S=Sandstone

Ordering Logic

Wattage/Lamp	Model No.	Voltage	Finish	Socket
50W Metal Halide E17	()1050MH	()	()	Medium
70W Metal Halide E17	()1070MH	()	()	Medium
100W Metal Halide E17	()1100MH	()	()	Medium
35W High Pressure Sodium E17	()1035HPS	(120)	()	Medium
50W High Pressure Sodium E17	()1050HPS	()	()	Medium
70W High Pressure Sodium E17	()1070HPS	()	()	Medium
100W High Pressure Sodium E17	()1100HPS	()	()	Medium
100W Incandescent A21	()1100I	(120)	()	Medium
26W Fluorescent PL-T	()1026F	()	()	GX24q-3,4
32W Fluorescent PL-T	()1032F	()	()	GX24q-3,4
42W Fluorescent PL-T	()1042F	()	()	GX24q-3,4

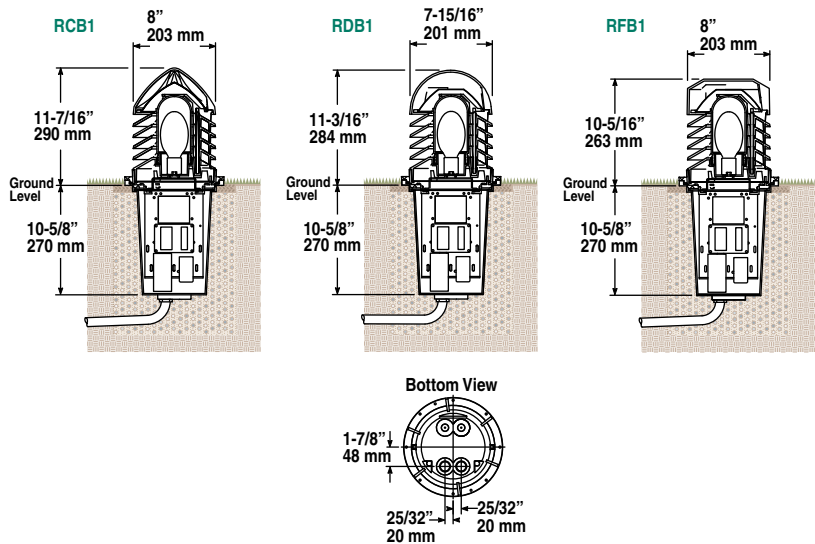
Note: Lamp not included.

Model No.:

Voltage:

Finish:

Dimensions



Project Notes:

Approval:

Any dimension on this sheet is to be assumed a reference dimension and used for information purposes only. It does not govern manufacturing or inspection requirements.

Some luminaires use fluorescent or high intensity discharge (HID) lamps that contain small amounts of mercury. Such lamps are labeled "Contains Mercury" and/or with the symbol "Hg." Lamps that contain mercury must be disposed of in accordance with local requirements. Information regarding lamp recycling and disposal can be found at www.lamprecycle.org

Bronzelite
100 Craftway Drive • Littlestown, PA 17340
800 273-1569 • Fax 717 359-9545 www.bronzelite.com