

## RD6 Bollard



### Pathway Lighting - Even Illumination

Stylish and slim, the Bronzelite R6 bollards provide powerful yet cost effective solutions to driveway and walkway lighting needs. The glass refractor optics - Type 5 with or without house side shield - direct light outward for maximum spacing. The cone optics provide an efficient, even illumination.

All optical systems are protected by a clear acrylic lens and will accommodate sources up to 100 watt incandescent and 100 watt HID. The glass refractors and louvers will also accommodate up to 42 watt PL-T compact fluorescent. Available in 24", 30" and 38" heights, the R6 Series includes the Dome (D) and Flat (F) style head assembly.

### Specifications

**Head Assembly:**

Spun aluminum. Access for re-lamping is by one stainless steel fastener.

**Fixture Column:**

Extruded aluminum, 6" diameter with .125" wall thickness.

**Fixture Base:**

Heavy-duty cast aluminum with three hole bolt pattern using 3/8"-16 UNC x 8" galvanized steel anchor bolts and twist-lock feature for easy fixture mounting. Column is secured to base with stainless steel locking screw.

**Optic Assembly:**

Borosilicate Type 5 glass refractor with or without house side shield or conical specular aluminum reflector.

**Lens:**

Single-piece clear acrylic with high temperature silicone gaskets for positive sealing of optical chamber.

**Sockets:**

Sockets for incandescent and HID are all 4KV pulse rated high temperature porcelain. Sockets for fluorescent are high temperature plastic.

**Ballast:**

Ballasts for HID are high power factor core and coil, multi-tap. Ballasts for fluorescent are electronic, universal voltage 120-277 VAC, 50 or 60Hz.

**Finish:**

Black (BLK), White (WHT), Gray (I), Dark Bronze (DB) and Dark Green (DGRN) finishes are thermoset polyester powdercoat. Verde (VRD) finish hand-rubbed over a black thermoset polyester powdercoat. Also available in highly weather-resistant Craft-Stone™ finishes (Limestone or Sandstone) which are bonded to the aluminum substrate.

**Warranty:**

Three year limited warranty.

**Certification:**

UL Listed to U.S. and Canadian safety standards for wet locations.

# RD6 Bollard

Project:

Fixture Type:

BLK=Black  
 DB=Dark Bronze  
 WHT=White  
 VRD=Verde  
 DGRN=Dark Green  
 I=Gray  
 L=Limestone  
 S=Sandstone

F=Cone\*  
 5=Type V Refractor  
 5S=Type V Refractor  
 with House Side Shield

120=120V  
 208=208V  
 240=240V  
 277=277V

24=24"  
 30=30"  
 38=38"

## Ordering Logic

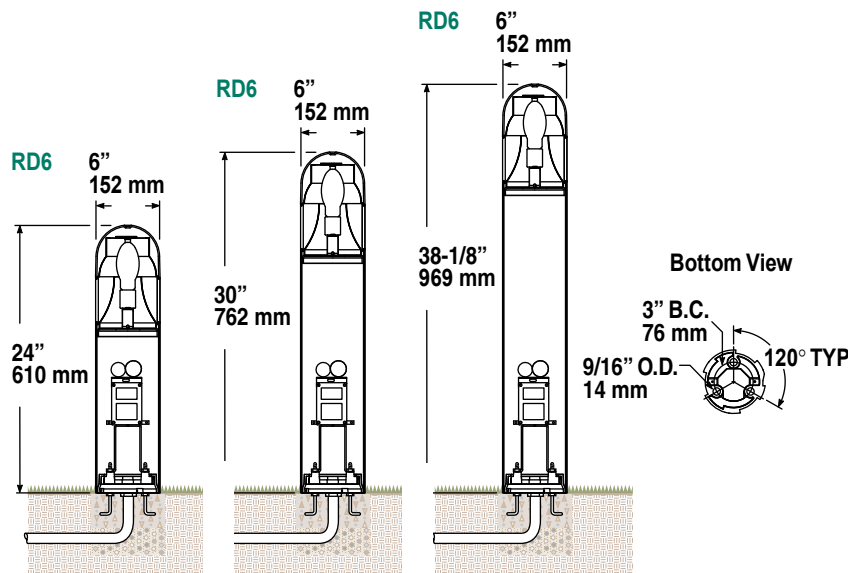
Wattage/Lamp	Model No.	Finish	Optics	Voltage	Height	Socket
50W Metal Halide E17	RD6050MH	( )	( )	(120,277)	( )	Medium
70W Metal Halide E17	RD6070MH	( )	( )	( )	( )	Medium
100W Metal Halide E17	RD6100MH	( )	( )	( )	( )	Medium
70W High Pressure Sodium E17	RD6070HPS	( )	( )	( )	( )	Medium
100W High Pressure Sodium E17	RD6100HPS	( )	( )	( )	( )	Medium
100W Incandescent A21	RD6100I	( )	( )	(120)	( )	Medium
26W Fluorescent PL-T*	RD6026F	( )	(5,5S)	( )	( )	GX24q-3,4
32W Fluorescent PL-T*	RD6032F	( )	(5,5S)	( )	( )	GX24q-3,4
42W Fluorescent PL-T *	RD6042F	( )	(5,5S)	( )	( )	GX24q-3,4

Note: Lamp not included.

\*Cone optic not available with fluorescent lamps.

Model No.:       Finish:       Optics:       Voltage:       Height:

## Dimensions



Project Notes:

Approval:

Any dimension on this sheet is to be assumed a reference dimension and used for information purposes only. It does not govern manufacturing or inspection requirements.

**Bronzelite®**

100 Craftway Drive • Littlestown, PA 17340  
 800 273-1569 • Fax 717 359-9545 www.bronzelite.com

Some luminaires use fluorescent or high intensity discharge (HID) lamps that contain small amounts of mercury. Such lamps are labeled "Contains Mercury" and/or with the symbol "Hg." Lamps that contain mercury must be disposed of in accordance with local requirements. Information regarding lamp recycling and disposal can be found at www.lamprecycle.org