

## PB6 Bollard



### Pathway Lighting - Compact Size

The Bronzelite PB Series bollards feature compact size and architectural styling. They are perfect for low level lighting of commercial walkways, driveways, deck and pool areas.

The cylindrical lens and louvered head enable the PB6000 bollards to project even illumination in a 360 degree pattern while reducing glare and directing light downward. A removable 180 degree internal shield is provided.

Designed for heavy-duty commercial applications, the PB series fixture heads are sand-cast aluminum, fully gasketed to keep out moisture, dirt and insects. The polyester powder-coated, extruded aluminum column and heavy, die-cast aluminum base ensure exceptional durability.

## Specifications

### Head Assembly:

Sand-cast aluminum with corrosion-resistant polyester powder coat finish. Access for relamping is by three stainless steel fasteners.

### Fixture Column:

Extruded aluminum with corrosion resistant polyester powder coat finish. Column is 5.0" in diameter with .125" wall thickness.

### Fixture Base:

Heavy-duty die-cast aluminum with three hole bolt pattern using 3/8-16 UNC x 8" galvanized steel anchor bolts and twist-lock feature for easy fixture mounting. Column is secured to base with stainless steel locking screw.

### Optic Assembly:

Thermal shock resistant glass lens with high temperature, molded silicone gasket for positive sealing of the optical chamber.

### Sockets:

Sockets for incandescent and HID are all 4KV pulse rated high temperature porcelain. Sockets for fluorescent are high temperature plastic.

### Ballast:

Ballasts for HID are high power factor core and coil, multi-tap. Ballasts for fluorescent are electronic, universal voltage 120-277 VAC, 50 or 60Hz.

### Finish:

Black (BLK), Dark Bronze (DB) and Dark Green (DGRN) finishes are thermoset polyester powdercoat. Verde (VRD) finish is hand-rubbed over a black thermoset polyester powdercoat. Craftstone finish is highly weather-resistant and bonded to the aluminum substrate, (L) Limestone and (S) Sandstone.

### Warranty:

Three year limited warranty.

### Certification:

UL Listed to U.S. and Canadian safety standards for wet locations.

### IP66:

Dust-tight and sealed against direct jets of water.

# PB6 Bollard

Project:

Fixture Type:

120=120V  
208=208V  
240=240V  
277=277V

BLK=Black  
DB=Dark Bronze  
L=Limestone  
S=Sandstone

14=14" Height  
21=21" Height  
30=30" Height

## Ordering Logic

Wattage/Lamp	Model No.	Voltage	Finish	Height	Socket
50W Metal Halide E17	PB6050MH	( )	( )	(21,30)	Medium
70W Metal Halide E17	PB6070MH	( )	( )	(21,30)	Medium
100W Metal Halide E17	PB6100MH	( )	( )	(21,30)	Medium
35W High Pressure Sodium E17	PB6035HPS	(120)	( )	(21,30)	Medium
50W High Pressure Sodium E17	PB6050HPS	( )	( )	(21,30)	Medium
70W High Pressure Sodium E17	PB6070HPS	( )	( )	(21,30)	Medium
100W High Pressure Sodium E17	PB6100HPS	( )	( )	(21,30)	Medium
100W Incandescent A19	PB6100I	(120)	( )	(14,21,30)	Medium
26W Fluorescent PL-T	PB6026F	( )	( )	(21,30)	GX24q-3,4
32W Fluorescent PL-T	PB6032F	( )	( )	(21,30)	GX24q-3,4
42W Fluorescent PL-T	PB6042F	( )	( )	(21,30)	GX24q-3,4

Note: Lamp not included.

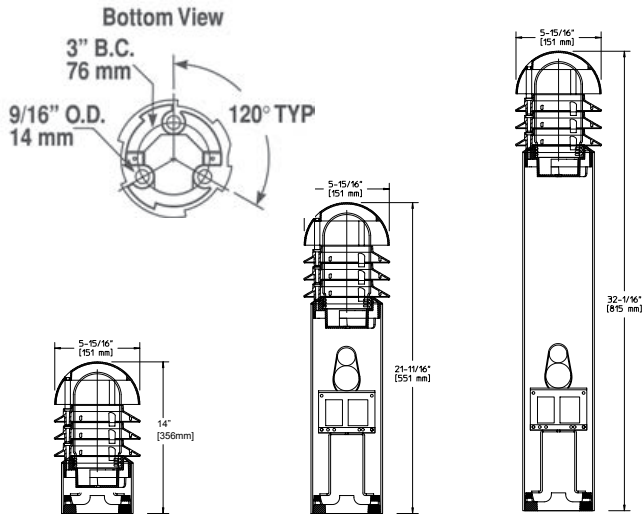
Model No.:

Voltage:

Finish:

Height:

## Dimensions



Project Notes:

Approval:

Any dimension on this sheet is to be assumed a reference dimension and used for information purposes only. It does not govern manufacturing or inspection requirements.

## Bronzelite®

100 Craftway Drive • Littlestown, PA 17340  
800 273-1569 • Fax 717 359-9545 www.bronzelite.com

Some luminaires use fluorescent or high intensity discharge (HID) lamps that contain small amounts of mercury. Such lamps are labeled "Contains Mercury" and/or with the symbol "Hg." Lamps that contain mercury must be disposed of in accordance with local requirements. Information regarding lamp recycling and disposal can be found at www.lamprecycle.org