

AL1500 Beacon Series



Beacon Area - Walkway

Cast aluminum, cast bronze, composite - you decide!
The AL family of Beacons provides the flexibility of materials and lamp options (HID, incandescent or fluorescent).

The AL1500 cast aluminum luminaire is available in either Dark Bronze or Black finish.

Specifications

Housing:

Cast aluminum for the AL1500, cast bronze for the ALB1500 and composite for the ALC1500. Two 1/2" conduit entries are provided in the bottom of the housing.

Fasteners:

Captive, stainless steel, tamper resistant.

Gasket:

High-temperature silicone.

Socket:

A19 and E17 socket is porcelain medium base. Fluorescent is GX23-2 high-temperature plastic.

Lens:

Prismatic, high-temperature glass lens. Removable 180 degree internal shield standard.

Ballast:

HID ballasts are HPF. HID and fluorescent ballasts are core and coil, epoxy-dipped for moisture-resistance.

Wiring:

Prewired with high-temperature wire.

Finish:

Thermoset polyester powdercoat, available in Black (BLK) and Dark Bronze (DB).

Warranty:

Three year limited warranty.

Certification:

UL Listed to U.S. and Canadian safety standards for wet locations.

AL1500 Beacon Series

Project:

Fixture Type:

120=120V
277=277V

BLK=Black
DB=Dark Bronze

Ordering Logic

Wattage/Lamp	Model No.	Voltage	Finish
Cast Aluminum			
35W High Pressure Sodium E17	AL1535HPS	(120)	()
50W High Pressure Sodium E17	AL1550HPS	(120)	()
100W Incandescent A19	AL1510I	(120)	()
13W Fluorescent PLC13	AL1513F	()	()
Composite			
35W High Pressure Sodium E17	ALC1535HPS	(120)	(N/A)
50W High Pressure Sodium E17	ALC1550HPS	(120)	(N/A)
100W Incandescent A19	ALC1510I	(120)	(N/A)
13W Fluorescent PLC13	ALC1513F	()	(N/A)
Cast Bronze			
35W High Pressure Sodium E17	ALB1535HPS	(120)	(N/A)
50W High Pressure Sodium E17	ALB1550HPS	(120)	(N/A)
100W Incandescent A19	ALB1510I	(120)	(N/A)
13W Fluorescent PLC13	ALB1513F	(120)	(N/A)

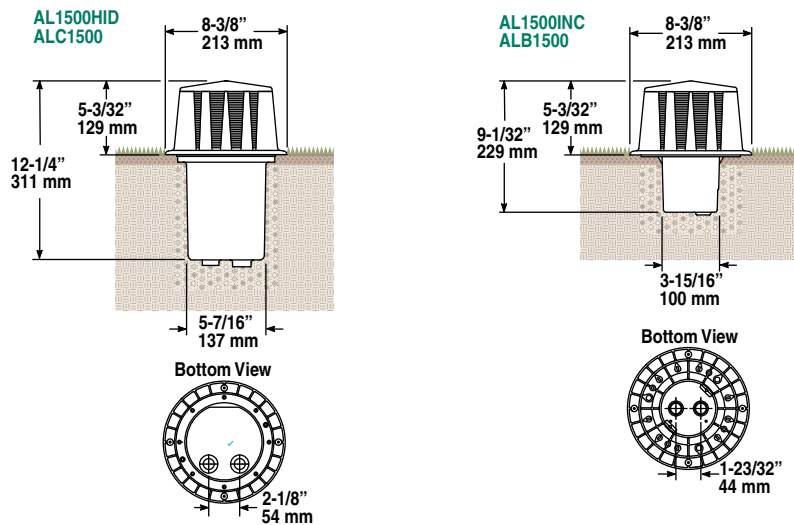
Note: Lamp not included.

Model No.:

Voltage:

Finish:

Dimensions



Project Notes:

Approval:

Any dimension on this sheet is to be assumed a reference dimension and used for information purposes only. It does not govern manufacturing or inspection requirements.

Some luminaires use fluorescent or high intensity discharge (HID) lamps that contain small amounts of mercury. Such lamps are labeled "Contains Mercury" and/or with the symbol "Hg." Lamps that contain mercury must be disposed of in accordance with local requirements. Information regarding lamp recycling and disposal can be found at www.lamprecycle.org

Bronzelite®
100 Craftway Drive • Littlestown, PA 17340
800 273-1569 • Fax 717 359-9545 www.bronzelite.com