

## BU6000



### Fountains - Pools - Niche Mounted

The BU6000 wet niche underwater fixture provides accent illumination for reflection pools, fountains and waterfalls. Its compact size, contemporary rectangular lens and natural bronze fixture housing, tamper resistant fasteners, stainless steel niche and tempered glass lens ensure reliable, low maintenance service. Available for 116 watt incandescent or 300 watt quartz lamps. Wet location (not submerged) up to 50 watt incandescent.

### Specifications

**Housing:**

Heavy-duty cast bronze. Housing includes naval brass cord seal.

**Rockguard:**

Optional, plated wire-form.

**Wet Niche:**

Spun stainless steel with integral bonding lugs and hub for connecting 1/2" or 3/4" conduit.

**Lens & Gasket:**

Lens is diffused, high-temperature tempered glass, 1/4" thick. Gasket is a single-piece, high-temperature silicone.

**Fasteners:**

Tamper resistant stainless steel.

**Lamps:**

50 watt A21 incandescent (not submerged), 116 watt A21 incandescent or 300watt T3 quartz (submerged). Lamps not included.

**Thermal Cutoff:**

Integral and furnished as standard on all fixtures. This enables fixture to be used in accordance with NEC Article 680-51 in installations without an external low-water cutoff.

**Socket:**

Porcelain medium screw base for A21. Socket for T3 quartz lamp is porcelain holder for double-ended recessed single contact (R.S.C.).

**Wiring:**

Standard 25' of 16-3 STO-WA water-resistant cord. Fixture is pre-wired and potted to prevent water entry.

**Warranty:**

Three year limited warranty.

**Certification:**

ETL Listed to U.S. and Canadian safety standards for submersion in fountains and decorative pools.

**Accessories: (Must Be Ordered Separately and Field Installed)****JB1:**

Junction Box-2 lights, 10.5 cubic inches. Singles 3/4" N.P.T. bottom. (2) 1/2" or 3/4", one each end.

**JB2:**

Junction Box-4 lights, 21.3 cubic inches. (2) 1" max. N.P.T. bottom. (4) 1/2" or 3/4", one each end.

**JB4:**

Junction Box-8 lights, 40 cubic inches. (2) 1-1/4" N.P.T. bottom. (8) 1/2" or 3/4", two each side.

**JB6:**

Junction Box-12 lights, 125.7 cubic inches. (2) 2" N.P.T. bottom. (20) 1/2" or (16) 3/4", sides.

**CC50:**

Machined Naval Brass Cord Seal-Neoprene packing seal, brass friction ring. 1/2" N.P.T. for use with 16-3 STO-WA entry into junction box.

**CC50F:**

Strain Relief, Machined Naval Brass Cord Seal-Neoprene packing seal, brass friction ring. 1/2" N.P.T. x 16-3 cord.

**EC34:**

Stainless steel waterproofing penetration fitting. 3/4" N.P.T. x 8" long for use with supply conduit into junction box.

**EC1:**

Stainless steel waterproofing penetration fitting. 1" N.P.T. x 8" long for use with supply conduit into junction box.

# BU6000

Project:

Fixture Type:

## Ordering Logic

Wattage/Lamp	Model No.	Voltage
116W A21	BU6001	120
116W A21	*BU6001RG	120
300W T3	BU6003	120
300W T3	*BU6003RG	120
Niche Only	BU6-NO	-

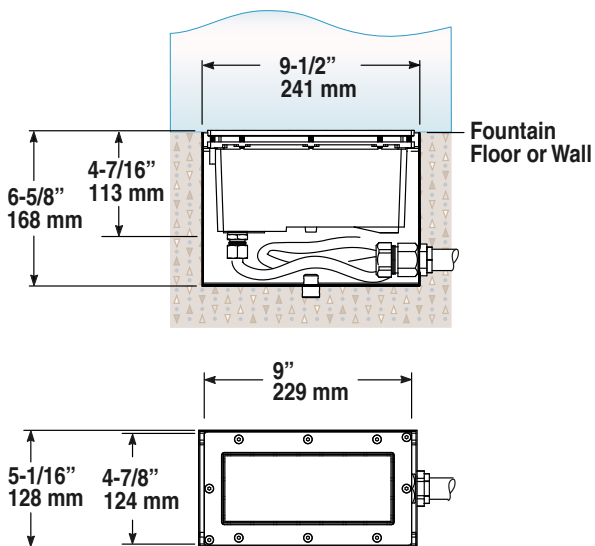
\*Rockguard included  
Lamp not included.

Model No:

### Note - Corrosive Conditions

Excessive use of bromine or chlorine in water can cause a corrosive environment for bronze alloy light fixtures. Proper pH balance above 7.0 should be maintained at all times to eliminate the risk of corrosion. A natural patina process of the fixture will occur in these conditions and is not harmful in any way.

## Dimensions



Project Notes:

Approval:

Any dimension on this sheet is to be assumed a reference dimension and used for information purposes only. It does not govern manufacturing or inspection requirements.

**Hg** Some luminaires use fluorescent or high intensity discharge (HID) lamps that contain small amounts of mercury. Such lamps are labeled "Contains Mercury" and/or with the symbol "Hg." Lamps that contain mercury must be disposed of in accordance with local requirements. Information regarding lamp recycling and disposal can be found at [www.lamprecycle.org](http://www.lamprecycle.org)

## Bronzelite®

100 Craftway Drive • Littlestown, PA 17340  
800 273-1569 • Fax 717 359-9545 [www.bronzelite.com](http://www.bronzelite.com)