

6150RG



Fountains - Pools - Niche Mounted

The 6150RG niche-mounted underwater fixture is designed for use in medium to large decorative fountains and reflection pools using up to 500 watt PAR56 lamps. The 6150RG is manufactured of marine grade cast bronze and includes a marine grade cast bronze rock guard as standard. The niche is spun stainless steel. The 6150RG is adjustable 25° from vertical with 360° rotation to provide stunning lighting effects at night.

Specifications

Housing:

Heavy-duty marine grade cast bronze. Housing includes naval brass cord seal.

Rockguard:

Marine grade cast bronze (standard).

Wet Niche:

Spun stainless steel with integral bonding lugs and hub for connecting 1/2" or 3/4" conduit.

Lens:

Clear, high-temperature tempered glass. Optional colored lenses available.

Gasket:

Single-piece, high-temperature silicone.

Fasteners:

Stainless steel.

Lamps:

500W PAR56 incandescent maximum. Lamps are not included.

Thermal Cutoff:

Integral and furnished as standard on all fixtures. This enables fixture to be used in accordance with NEC Article 680-51 in installations without an external low-water cutoff.

Wiring:

Standard 25' of 16-3 STO-WA water-resistant cord. Fixture is pre-wired and potted to prevent water entry.

Warranty:

Three year limited warranty.

Certification:

ETL Listed to U.S. and Canadian safety standards for submersion in fountains and decorative pools.

Accessories: (Must Be Ordered Separately and Field Installed)**SJB10:**

2 lights, 21 cubic inches. Single 3/4" N.P.T. bottom. (2) 1/2" or 3/4", one each end.

SJB30:

8 lights, 70 cubic inches. (3) 1" maximum N.P.T. bottom. (5) 1/2" or 3/4", sides.

LVTS3:

Stepdown transformer for use with submersible low voltage fixtures, Primary: 120VAC, 60 Hz., Secondary: 11/12/13 VAC., Load: 300VA.

LVTS6:

Stepdown transformer for use with submersible low voltage fixtures, Primary: 120VAC, 60 Hz., Secondary: 11/12/13 VAC., Load: 600VA.

LVTS9:

Stepdown transformer for use with submersible low voltage fixtures, Primary: 120VAC, 60 Hz., Secondary: 11/12/13 VAC., Load: 900VA.

CC50:

Machined Naval Brass Cord Seal-Neoprene packing seal, brass friction ring. 1/2" N.P.T. for use with 16-3 STO-WA entry into junction box.

CC50F:

Strain Relief, Machined Naval Brass Cord Seal-Neoprene packing seal, brass friction ring. 1/2" N.P.T. x 16-3 cord.

CC75:

Machined Naval Brass Cord Seal-Neoprene packing seal, brass friction ring. 3/4" N.P.T. for use with 10-3 STO-WA entry into junction box.

CC75F:

Strain Relief, Machined Naval Brass Cord Seal-Neoprene packing seal, brass friction ring. 3/4" N.P.T. x 10-3 cord.

EC34:

Stainless steel waterproofing penetration fitting. 3/4" N.P.T. x 8" long for use with supply conduit into junction box.

EC1:

Stainless steel waterproofing penetration fitting. 1" N.P.T. x 8" long for use with supply conduit into junction box.

6150RG

Project:

Fixture Type:

BLU=Blue
 RED=Red
 GRN=Green
 AMB=Amber

Ordering Logic			
Wattage/Lamp	Model No.	Optional Lens	Voltage
500W PAR56	6150RG	()	120
Niche Only	6100-NO	-	-

Lamp not included.

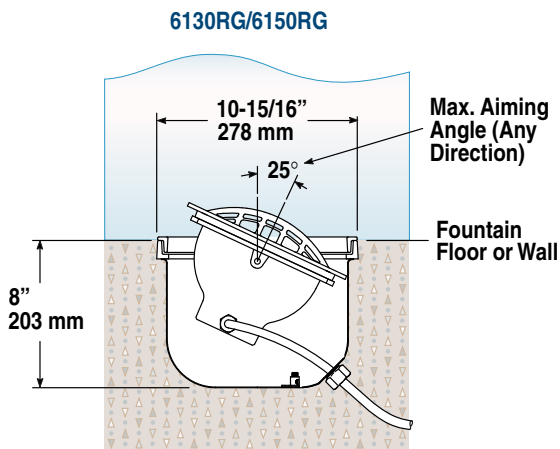
Model No:

Optional Lens:

Note - Corrosive Conditions

Excessive use of bromine or chlorine in water can cause a corrosive environment for bronze alloy light fixtures. Proper pH balance above 7.0 should be maintained at all times to eliminate the risk of corrosion. A natural patina process of the fixture will occur in these conditions and is not harmful in any way.

Dimensions



Project Notes:

Approval:

Any dimension on this sheet is to be assumed a reference dimension and used for information purposes only. It does not govern manufacturing or inspection requirements.

Bronzelite®

100 Craftway Drive • Littlestown, PA 17340
 800 273-1569 • Fax 717 359-9545 www.bronzelite.com

Some luminaires use fluorescent or high intensity discharge (HID) lamps that contain small amounts of mercury. Such lamps are labeled "Contains Mercury" and/or with the symbol "Hg." Lamps that contain mercury must be disposed of in accordance with local requirements. Information regarding lamp recycling and disposal can be found at www.lamprecycle.org