

6125RG



Fountains - Pools - Niche Mounted

The 6125RG niche-mounted underwater fixture is designed for use in medium to large decorative fountains and shallow reflection pools using up to 250 watt R40 quartz or 150 watt PAR38 incandescent lamps. The 6125RG is manufactured of marine grade cast bronze and includes a marine grade cast bronze rock guard as standard. The niche is spun stainless steel. The 6125RG is adjustable 25° from vertical with 360° rotation to provide stunning lighting effects at night.

Specifications

Housing:

Heavy-duty marine grade cast bronze. Housing includes naval brass cord seal.

Rockguard:

Marine grade cast bronze (standard).

Wet Niche:

Spun stainless steel with integral bonding lugs and hub for connecting 1/2" or 3/4" conduit.

Lens:

Clear, high-temperature tempered glass. Optional colored lenses available.

Gasket:

Single-piece, high-temperature silicone.

Fasteners:

Stainless steel.

Lamps:

250W R40 or 150W PAR38 incandescent maximum. Lamps are not included.

Thermal Cutoff:

Integral and furnished as standard on all fixtures. This enables fixture to be used in accordance with NEC Article 680-51 in installations without an external low-water cutoff.

Socket:

Porcelain medium base.

Wiring:

Standard 25' of 16-3 STO-WA water-resistant cord. Fixture is pre-wired and potted to prevent water entry.

Warranty:

Three year limited warranty.

Certification:

ETL Listed to U.S. and Canadian safety standards for submersion in fountains and decorative pools.

Accessories:

(Must Be Ordered Separately and Field Installed)

JB1:

Junction Box-2 lights, 10.5 cubic inches. Singles 3/4" N.P.T. bottom. (2) 1/2" or 3/4", one each end.

JB2:

Junction Box-4 lights, 21.3 cubic inches. (2) 1" max. N.P.T. bottom. (4) 1/2" or 3/4", one each end.

JB4:

Junction Box-8 lights, 40 cubic inches. (2) 1-1/4" N.P.T. bottom. (8) 1/2" or 3/4", two each side.

JB6:

Junction Box-12 lights, 125.7 cubic inches. (2) 2" N.P.T. bottom. (20) 1/2" or (16) 3/4", sides.

CC50F:

Strain Relief, Machined Naval Brass Cord Seal-Neoprene packing seal, brass friction ring. 1/2" N.P.T. x 16-3 cord.

CC75F:

Strain Relief, Machined Naval Brass Cord Seal-Neoprene packing seal, brass friction ring. 3/4" N.P.T. x 10-3 cord.

EC34:

Stainless steel waterproofing penetration fitting. 3/4" N.P.T. x 8" long for use with supply conduit into junction box.

EC1:

Stainless steel waterproofing penetration fitting. 1" N.P.T. x 8" long for use with supply conduit into junction box.

6125RG

Project:

Fixture Type:

BLU=Blue
 RED=Red
 GRN=Green
 AMB=Amber

Ordering Logic			
Wattage/Lamp	Model No.	Optional Lens	Voltage
250W PAR38/40	6125RG	()	120
Niche Only	6125-NO	-	-

Lamp not included.
 Must fill out factory-supplied drilling template for junction boxes. J-box order separate.

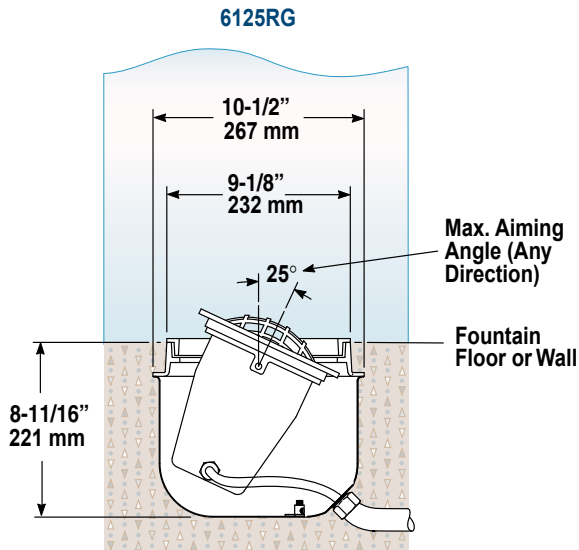
Model No:

Optional Lens:

Note - Corrosive Conditions

Excessive use of bromine or chlorine in water can cause a corrosive environment for bronze alloy light fixtures. Proper pH balance above 7.0 should be maintained at all times to eliminate the risk of corrosion. A natural patina process of the fixture will occur in these conditions and is not harmful in any way.

Dimensions



Project Notes:

Approval:

Any dimension on this sheet is to be assumed a reference dimension and used for information purposes only. It does not govern manufacturing or inspection requirements.

Some luminaires use fluorescent or high intensity discharge (HID) lamps that contain small amounts of mercury. Such lamps are labeled "Contains Mercury" and/or with the symbol "Hg." Lamps that contain mercury must be disposed of in accordance with local requirements. Information regarding lamp recycling and disposal can be found at www.lamprecycle.org

Bronzelite®
 100 Craftway Drive • Littlestown, PA 17340
 800 273-1569 • Fax 717 359-9545 www.bronzelite.com