

## 6030LVRG/6050RG



### Fountains - Pools - Free Standing

The 6030LVRG/6050RG freestanding underwater fixture is designed for use in medium to large decorative fountains and reflection pools using up to 300 watt PAR56 12 volt lamps for the 6030LVRG and 500 watt PAR56 120 volt lamps for the 6050RG. The fixtures are manufactured of marine grade cast nickel bronze alloy and rock guard as standard. It is fully adjustable by way of a swivel yoke assembly to optimize any lighting effect.

### Specifications

**Housing:**

Heavy-duty marine grade cast nickel bronze alloy. Housing includes naval brass cord seal.

**Rockguard:**

Marine grade cast nickel bronze alloy (standard).

**Swivel Yoke:**

Marine grade cast bronze. Height is adjustable from 9 11/16" minimum to 14" maximum.

**Lens:**

Clear, high-temperature tempered convex glass. Optional colored lenses available.

**Gasket:**

Single-piece, high-temperature silicone.

**Fasteners:**

Stainless steel.

**Lamps:**

300W, PAR56 12 volt incandescent maximum for 6030LVRG (fork terminal socket). 500W, PAR56 120 volt maximum for 6050RG (porcelain mogul bi prong). Lamps are not included. Low voltage transformer is required for 6030LVRG.

**Thermal Cutoff:**

Integral and furnished as standard on all fixtures. This enables fixture to be used in accordance with NEC Article 680-51 in installations without an external low-water cutoff.

**Wiring:**

Standard 15' of 10-3 STO-WA water-resistant cord for 6030LVRG and 15' of 16-3 STO-WA water-resistant cord. Fixture is pre-wired and potted to prevent water entry.

**Warranty:**

Three year limited warranty.

**Certification:**

ETL Listed to U.S. and Canadian safety standards for submersion in fountains and decorative pools.

**Accessories:**

**(Must Be Ordered Separately and Field Installed)**

**JB1:**

Junction Box-2 lights, 10.5 cubic inches. Singles 3/4" N.P.T. bottom. (2) 1/2" or 3/4", one each end.

**JB2:**

Junction Box-4 lights, 21.3 cubic inches. (2) 1" max. N.P.T. bottom. (4) 1/2" or 3/4", one each end.

**JB4:**

Junction Box-8 lights, 40 cubic inches. (2) 1-1/4" N.P.T. bottom. (8) 1/2" or 3/4", two each side.

**JB6:**

Junction Box-12 lights, 125.7 cubic inches. (2) 2" N.P.T. bottom. (20) 1/2" or (16) 3/4", sides.

**CC50:**

Machined Naval Brass Cord Seal-Neoprene packing seal, brass friction ring. 1/2" N.P.T. for use with 16-3 STO-WA entry into junction box.

**CC75:**

Machined Naval Brass Cord Seal-Neoprene packing seal, brass friction ring. 3/4" N.P.T. for use with 10-3 STO-WA entry into junction box.

**EC34:**

Stainless steel waterproofing penetration fitting. 3/4" N.P.T. x 8" long for use with supply conduit into junction box.

**EC1:**

Stainless steel waterproofing penetration fitting. 1" N.P.T. x 8" long for use with supply conduit into junction box.

# 6030LVRG/6050RG

Project:

Fixture Type:

BLU=Blue  
 RED=Red  
 GRN=Green  
 AMB=Amber

## Ordering Logic

Wattage/Lamp	Model No.	Optional Lens	Voltage
300W PAR56	6030LVRG	( )	12
500W PAR56	6050RG	( )	120

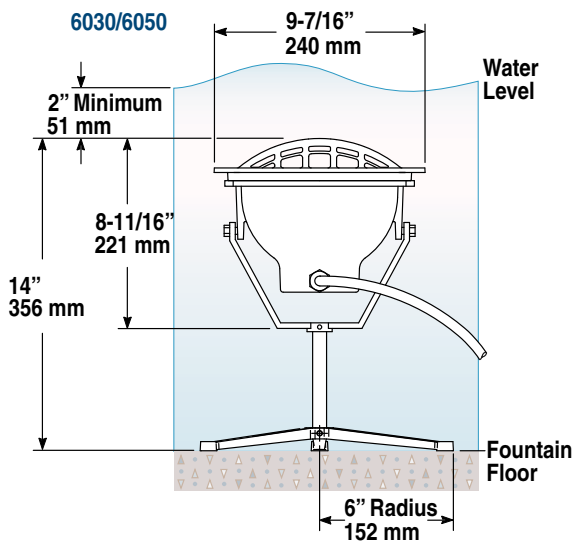
Remote low voltage transformer required for 6030LVRG.  
 Note: Lamp not included

Model No:	Optional Lens:	Voltage:

### Note - Corrosive Conditions

Excessive use of bromine or chlorine in water can cause a corrosive environment for bronze alloy light fixtures. Proper pH balance above 7.0 should be maintained at all times to eliminate the risk of corrosion. A natural patina process of the fixture will occur in these conditions and is not harmful in any way.

## Dimensions



Project Notes:

Approval:

Any dimension on this sheet is to be assumed a reference dimension and used for information purposes only. It does not govern manufacturing or inspection requirements.

Some luminaires use fluorescent or high intensity discharge (HID) lamps that contain small amounts of mercury. Such lamps are labeled "Contains Mercury" and/or with the symbol "Hg." Lamps that contain mercury must be disposed of in accordance with local requirements. Information regarding lamp recycling and disposal can be found at [www.lamprecycle.org](http://www.lamprecycle.org)

**Bronzelite**<sup>®</sup>  
 100 Craftway Drive • Littlestown, PA 17340  
 800 273-1569 • Fax 717 359-9545 [www.bronzelite.com](http://www.bronzelite.com)