

## 5100RG



### Fountains - Pools - Niche Mounted

The 5100RG Series niche-mounted underwater fixtures are designed for use in smaller, shallower decorative fountains and reflection pools. These luminaires blend unobtrusively during the day and their engineered optics are adjustable 25° from vertical with 360° rotation to provide stunning lighting effects at night. 5100RG series fixtures can be either wall or floor mounted. The versatile 5100RG Series fixtures offer a variety of lamp options in both low voltage and line voltage from 75W MR16 to 500W T4 quartz. Luminaires are factory lamped.

### Specifications

**Housing:**

Spun stainless steel. Housing includes naval brass cord seal.

**Rockguard:**

Marine grade cast nickel bronze alloy (standard).

**Wet Niche:**

Spun stainless steel with integral bonding lugs and hub for connecting 1/2" or 3/4" conduit.

**Lens:**

Clear, high-temperature tempered glass. Optional colored lenses available.

**Gasket:**

Single-piece, high-temperature silicone.

**Fasteners:**

Stainless steel.

**Thermal Cutoff:**

Integral and furnished as standard on all fixtures. This enables fixture to be used in accordance with NEC Article 680-51 in installations without an external low-water cutoff.

**Socket:**

High-temperature porcelain; Low voltage: bi-pin, Incandescent: 120 volt: mini-candelabra.

**Wiring:**

Standard 25' of 16-3 STO-WA water-resistant cord. Fixture is pre-wired and potted to prevent water entry.

**Warranty:**

Three year limited warranty.

**Certification:**

ETL Listed to U.S. and Canadian safety standards for submersion in fountains and decorative pools.

**Accessories:**

(Must Be Ordered Separately and Field Installed)

**JB1:**

Junction Box-2 lights, 10.5 cubic inches. Singles 3/4" N.P.T. bottom. (2) 1/2" or 3/4", one each end.

**JB2:**

Junction Box-4 lights, 21.3 cubic inches. (2) 1" max. N.P.T. bottom. (4) 1/2" or 3/4", one each end.

**JB4:**

Junction Box-8 lights, 40 cubic inches. (2) 1-1/4" N.P.T. bottom. (8) 1/2" or 3/4", two each side.

**JB6:**

Junction Box-12 lights, 125.7 cubic inches. (2) 2" N.P.T. bottom. (20) 1/2" or (16) 3/4", sides.

**CC50F:**

Strain Relief, Machined Naval Brass Cord Seal-Neoprene packing seal, brass friction ring. 1/2" N.P.T. x 16-3 cord.

**CC75F:**

Strain Relief, Machined Naval Brass Cord Seal-Neoprene packing seal, brass friction ring. 3/4" N.P.T. x 10-3 cord.

**EC34:**

Stainless steel waterproofing penetration fitting. 3/4" N.P.T. x 8" long for use with supply conduit into junction box.

**EC1:**

Stainless steel waterproofing penetration fitting. 1" N.P.T. x 8" long for use with supply conduit into junction box.

# 5100RG

Project:

Fixture Type:

BLU=Blue  
 RED=Red  
 GRN=Green  
 AMB=Amber

## Ordering Logic

Wattage/Lamp	Model No.	Optional Lens	Voltage
75W MR16 (included)*	5175LVRG	( )	12
100W T3 (included)*	5110LVRG	( )	12
100W T4 (included)	5110RG	( )	120
150W T4 (included)	5115RG	( )	120
250W T4 (included)	5125RG	( )	120
500W T4 (included)	5150RG	( )	120
Niche Only	5100-NO	-	-

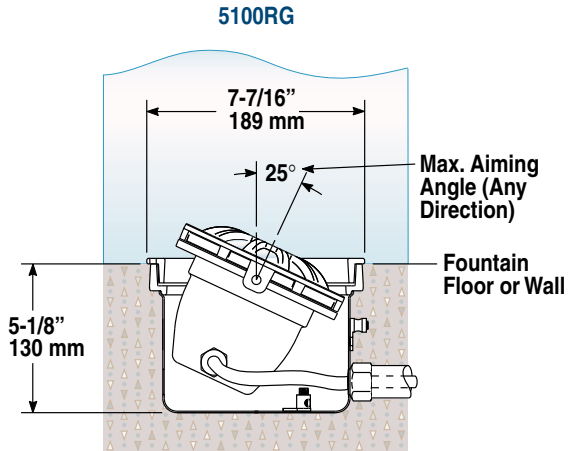
\*Remote low voltage transformer required (see accessories).

Model No:	Optional Lens:	Voltage:
-----------	----------------	----------

### Note - Corrosive Conditions

Excessive use of bromine or chlorine in water can cause a corrosive environment for bronze alloy light fixtures. Proper pH balance above 7.0 should be maintained at all times to eliminate the risk of corrosion. A natural patina process of the fixture will occur in these conditions and is not harmful in any way.

## Dimensions



Project Notes:

Approval:

Any dimension on this sheet is to be assumed a reference dimension and used for information purposes only. It does not govern manufacturing or inspection requirements.

## Bronzelite®

100 Craftway Drive • Littlestown, PA 17340  
 800 273-1569 • Fax 717 359-9545 www.bronzelite.com

Some luminaires use fluorescent or high intensity discharge (HID) lamps that contain small amounts of mercury. Such lamps are labeled "Contains Mercury" and/or with the symbol "Hg." Lamps that contain mercury must be disposed of in accordance with local requirements. Information regarding lamp recycling and disposal can be found at [www.lamprecycle.org](http://www.lamprecycle.org)