

## WLB1 Step Light



### Bricklytes - Horizontal & Vertical Orientation

Designed as a matched replacement for a standard sized brick, Bronzelite Bricklytes are available in fluorescent, incandescent, LED and low voltage sources. The choice of horizontal, vertical or frosted lens unit fits discretely into a brick space and enables light to be directed where it is needed.

#### LED:

Cool external temperatures - all below 38°C! - so the luminaire is cool to the touch, including the lens. Perfect for high pedestrian traffic and plant life applications. Exceeds European Standard EN 563 for both 1 second (74°C for coated metal, 80°C for glass) and 4 seconds (61°C for coated metal, 70°C for glass) of contact.

#### IP66 Rating

#### ADA

## Specifications

#### Housing:

Recessed, water-tight, die-cast, copper-free aluminum for corrosion resistance in concrete applications. Includes four 1/2" NPT conduit entries and ample wiring compartment for through-wiring.

#### Trim Ring:

Dark bronze (color-impregnated) polycarbonate for superior corrosion resistance. Silicone gasket ensures positive, watertight seal.

#### Face Plate:

Horizontal and vertical louver assemblies die-cast aluminum with 45° cutoff. Lens frame for frosted lens is color-impregnated polycarbonate with finish to match fixture.

#### Lens:

Lens is frosted tempered glass.

#### Fasteners:

Tamper-resistant stainless steel.

#### Electrical:

Sockets are pre-wired with high temperature #18 AWG wire. Electrical components are mounted to a removable tray with quick disconnect for easy installation after housing is installed.

LEDs 13.5 total watts. Input voltage range of 108-132VAC.

#### Ballast:

All compact fluorescent ballasts are normal power factor, Class B core and coil, 120 VAC, rated for 0° F starting temperature.

#### Step-Down Transformer:

120:12 core and coil isolated primary to secondary. 95% efficiency rating, sound rating "A".

#### Sockets:

All incandescent sockets are medium base. 9 watt fluorescent socket is G23. 13 watt fluorescent socket is GX23-2. 18 watt fluorescent socket is G24Q-2. All low voltage sockets are single contact bayonet base.

#### ADA:

This fixture is in compliance with the Americans with Disabilities Act.

#### Thermal Protector:

Required for non-masonry incandescent and low voltage installations, must be ordered as an option (add suffix "P" to catalog number). Unit is mounted from inside the housing and is field replaceable without removing fixture from housing. Not required or offered for masonry installations.

#### LEDs:

Luxeon® white brightness (HB) LEDs. Deliver 70% lumen maintenance at 50,000 hours. Cool white (5500K nominal).

Powered by Advance™: Integral Advance™ electronic LED driver with integral surge protector. UL Class 2. -40°C/F minimum starting temperature. Pre-wired with #18 AWG wire. Electrical components are mounted to a removable tray for easy installation after housing is installed.

#### Finish:

Housing, Trim Ring and Face Plate finished in thermoset polyester powdercoat, available in Dark Bronze (DB), Black (BLK), or White (WHT).

#### Warranty:

Five year limited warranty.

#### Certification:

ETL Listed to U.S. and Canadian safety standards for wet locations.

#### Accessories

(Must be Ordered Separately and Field Installed)

**MAKM:** Masonry Mounting Kit

**BMAKNS:** New Stud Wall Mounting Kit

**BMAKES:** Existing Stud Wall Mounting Kit



# WLB1 Step Light

Project:

Fixture Type:

HL=Horizontal Louver  
 HF=Horizontal Frosted<sup>2</sup>  
 VL=Vertical Louver

120=120V<sup>3</sup>  
 277=277V

P=Thermal Protection<sup>1</sup>

C=Cool White (5500K)  
 W=Warm White (3000K)

## Ordering Logic

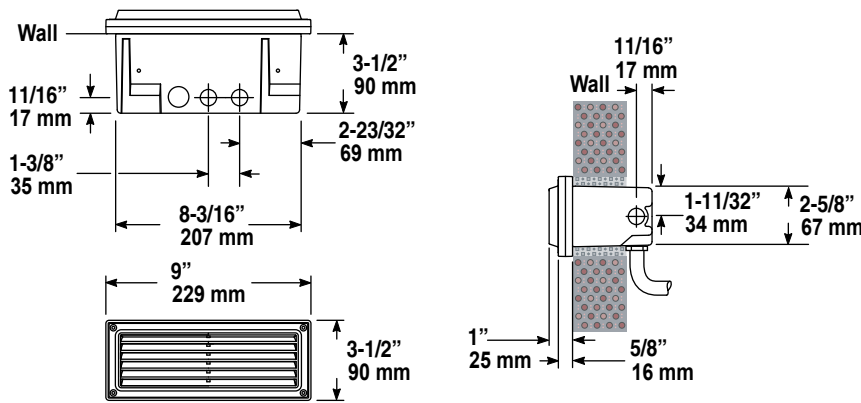
Wattage/Lamp	Model No.	Face Plate	Voltage	Finish	Thermal Protector	Color Temperature
18W 1141 (2) (LV Transformer Included)	WLB1036	( )	(120/12)	(Natural Cast Bronze)	( )	-
40W T10	WLB1040I	( )	(120)	(Natural Cast Bronze)	( )	-
9W PLS9	WLB1009F	( )	( )	(Natural Cast Bronze)	-	-
13W PLC13	WLB1013F	( )	( )	(Natural Cast Bronze)	-	-
18W PLC18	WLB1018F	( )	( )	(Natural Cast Bronze)	-	-
(5) 1W LEDs	WLB1005D	( )	(120)	(Natural Cast Bronze)	-	( )
(3) 1W LEDs	WLB1003D	( )	(120)	(Natural Cast Bronze)	-	( )
-	WL1HO-BZ <sup>4</sup>	-	-	-	-	-
LED / 18W FL Housing Only	WL1DHO <sup>4</sup>	-	-	( )	-	-

To order fixture without housing, add suffix "LH" (less housing) to complete catalog number. Example: WLA1040IHL120DBLH  
 1 - Thermal protection is required for interior or insulated walls. Add suffix "P" to ordering number. Not required for LED and fluorescent.  
 2 - WLA1HF available only in dark bronze or black finishes.  
 3 - LEDs are 120V only.  
 4 - Housing only for pre-ship.

**Note: Lamp not included.**

Model No.:	Face Plate:	Voltage:	Finish:	Thermal Protector:
------------	-------------	----------	---------	--------------------

## Dimensions



Project Notes:

Approval:

Any dimension on this sheet is to be assumed a reference dimension and used for information purposes only. It does not govern manufacturing or inspection requirements.

**Bronzelite®**  
 100 Craftway Drive • Littlestown, PA 17340  
 800 273-1569 • Fax 717 359-9545 www.bronzelite.com

Some luminaires use fluorescent or high intensity discharge (HID) lamps that contain small amounts of mercury. Such lamps are labeled "Contains Mercury" and/or with the symbol "Hg." Lamps that contain mercury must be disposed of in accordance with local requirements. Information regarding lamp recycling and disposal can be found at www.lamprecycle.org