

FIXTURE TYPE: \_\_\_\_\_  
PROJECT NAME: \_\_\_\_\_

## BRONZELITE WLA1000 BRICKLYTE SPECIFICATION SHEET



Designed as a matched replacement for a standard sized brick, Bronzelite Bricklytes are available in fluorescent, incandescent and low voltage sources. The choice of horizontal, vertical or frosted lens unit fits discretely into a brick space and enables light to be directed where it is needed.

model WLA1000

### SPECIFICATIONS

**HOUSING:** Recessed, water-tight, die-cast, copper-free aluminum for corrosion resistance in concrete applications. Includes four 1/2" NPT conduit entries and ample wiring compartment for through-wiring.

**TRIM RING:** Die-cast, copper-free aluminum for superior corrosion resistance. Silicone gasket ensures positive, watertight seal.

**FACE PLATE:** Horizontal and vertical louver assemblies die-cast aluminum with 45° cutoff. Lens frame for frosted lens is color-impregnated polycarbonate with finish to match fixture.

**LENS:** Louvered fixtures have clear, tempered glass. Frosted lens is opal UV-stabilized polycarbonate in front of tempered glass.

**FASTENERS:** Tamper-resistant stainless steel.

**ELECTRICAL:** Sockets are pre-wired with high temperature #18 AWG wire. Electrical components are mounted to a removable tray with quick disconnect for easy installation after housing is installed.

**BALLAST:** All compact fluorescent ballasts are normal power factor, Class B core and coil, 120 VAC, rated for 0° F starting temperature.

**STEP-DOWN TRANSFORMER:** 120:12 core and coil isolated primary to secondary. 95% efficiency rating, sound rating "A".

**SOCKETS:** All incandescent sockets are medium base. 9 watt fluorescent socket is G23. 13 watt fluorescent socket is GX23-2. 18 watt fluorescent socket is G24Q-2. All low voltage sockets are single contact bayonet base

**WARRANTY:** Three year limited warranty.

**THERMAL PROTECTOR:** Required for non-masonry incandescent and low voltage installations, must be ordered as an option (add suffix "P" to catalog number). Unit is mounted from inside the housing and is field replaceable without removing fixture from housing. Not required or offered for masonry installations.

**FINISH:** Housing, Trim Ring and Face Plate finished in thermoset polyester powdercoat, available in Dark Bronze (DB), Black (BLK), or White (WHT).

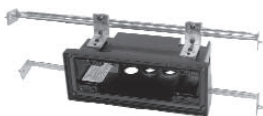
**CERTIFICATION:** UL Listed to U.S. and Canadian safety standards for wet locations.

**ADA:** This fixture is in compliance with the Americans with Disabilities Act.

### ACCESSORIES (Must Be Ordered Separately and Field Installed)



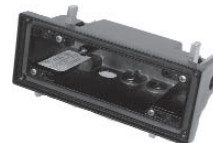
**MAKM:** Masonry Mounting Kit



**BMAKNS:** New Stud Wall Mounting Kit



**BMAKES:** Existing Stud Wall Mounting Kit

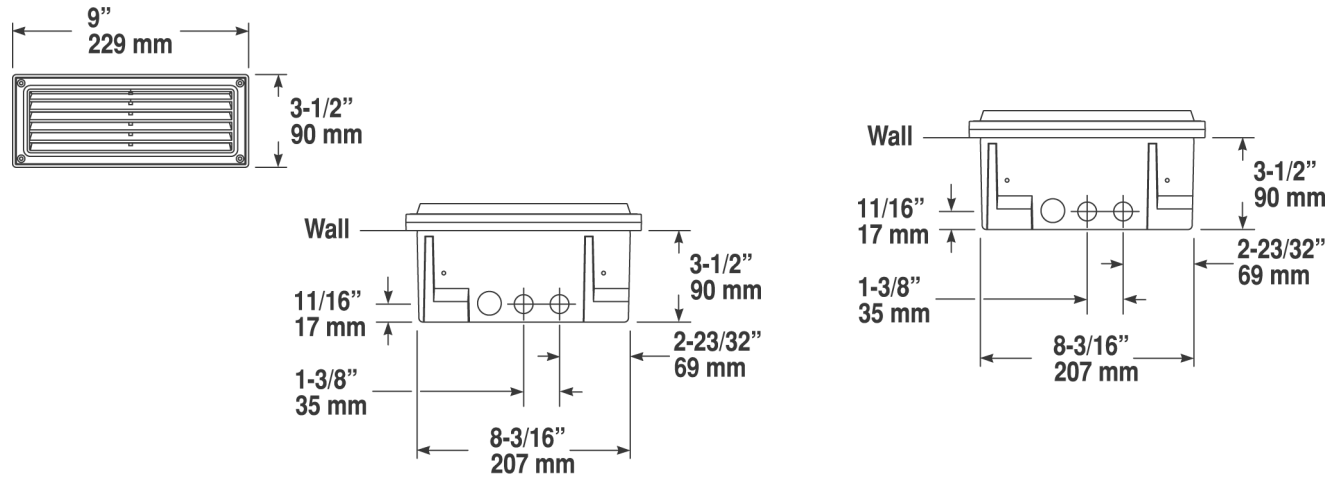


Note: Bronzelite reserves the right to modify the above details to reflect changes in the cost of materials &/or production &/or design without prior notice.  
BRONZELITE - GENLYTE GROUP LLC • 100 Craftway • Littlestown, PA 17340 • Ph. (800) 273-1569 • Fax (717) 359-9545 • www.bronzelite.com

FIXTURE TYPE: \_\_\_\_\_

PROJECT NAME: \_\_\_\_\_

**DIMENSIONS & MOUNTING DETAILS**



**ORDERING LOGIC WLA1000**

**HL**=Horizontal Louver  
**HF**=Horizontal Frosted\*\*  
**VL**=Vertical Louver  
**DB**=Dark Bronze (Standard)  
**BLK**=Black  
**WHT**=White  
**120**=120V  
**277**=277V  
**P**=Thermal Protection\*

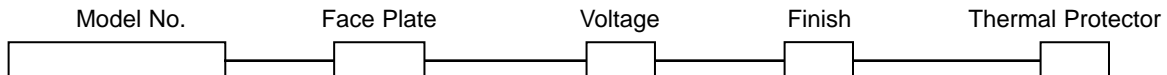
Wattage/Lamp	Model No.	Face Plate	Voltage	Finish	Thermal Protector
18W 1141 (2) (LV Transformer Included)	<b>WLA1036</b>	( )	(120/12)	( )	( )
40W T10	<b>WLA1040I</b>	( )	(120)	( )	( )
9W PLS9	<b>WLA1009F</b>	( )	( )	( )	-
13W PLC13	<b>WLA1013F</b>	( )	( )	( )	-
18W PLC18	<b>WLA1018F</b>	( )	( )	( )	-
-	<b>WL1HO</b> (Housing only for Pre-Ship)	-	-	( )	-

To order fixture without housing, add suffix "LH" (less housing) to complete catalog number. Example: **WLA1040IHL120DBLH**

\*Thermal protection is required for interior or insulated walls. Add suffix "P" to ordering number. Not required for fluorescent.

\*\*WLA1HF available only in dark bronze or black finishes.

**Note: Lamp not included.**



**PROJECT NOTES**

\_\_\_\_\_

\_\_\_\_\_

\_\_\_\_\_

\_\_\_\_\_

\_\_\_\_\_

\_\_\_\_\_

\_\_\_\_\_

\_\_\_\_\_

**APPROVAL**

**Bronzelite®**

Note: Bronzelite reserves the right to modify the above details to reflect changes in the cost of materials &/or production &/or design without prior notice.

BRONZELITE - GENLYTE GROUP LLC • 100 Craftway • Littlestown, PA 17340 • Ph. (800) 273-1569 • Fax (717) 359-9545 • www.bronzelite.com

ISO 9001:2000 Registered

Copyright Genlyte Group LLC, BRONZELITE Division 2005

WLA1000-Rev3