

WLA4 Step Light



Superior Performance

The WLA4 Steplight is a fully recessed wall light with a capacity of 100W metal halide, high pressure sodium and 42W fluorescent. The unobtrusive design mounts flush with the wall surface, and the louvered front is hinged for easy relamping. The sturdy copper-free aluminum die cast housing will not oxidize, and the fixture is finished with a corrosion resistant thermoset polyester powdercoat.

ADA

Specifications

Housing:

Semi-recessed water-tight die cast aluminum with glass lens. Hinges allow for easy re-lamping.

Fasteners:

Captive, black oxide stainless steel, tamper resistant.

Gasket:

Single piece molded silicone.

Socket:

HID models, porcelain socket is medium base, 4kv pulse rated. Fluorescent model, 26 watt is GX24q-3, 32 watt socket is GX24q-3; 42 watt socket is GX24q-4; T6 lamp is bi-pin base.

Reflector:

Specular aluminum segmented reflector assembly.

Lens Frame:

Frosted tempered glass lens with silicone gasketing.

Mounting Assembly:

Hardware and template for concrete pour is supplied. Mounting kits for masonry (BMAKM) and new (BMAKNS) or existing stud walls (BMAKES) may be ordered as accessories.

Electrical Assembly:

Electrical components are mounted on a removable galvanized steel ballast tray, factory wired with quick disconnects for easy replacement. Ballasts have power factors greater than 90%. Metal halide ballasts are capable of starting at -20° F or -30° C, HPS ballasts at -40° F or -40° C. All components are ETL and CSA Listed or cETL recognized and 100% factory tested.

Ballast:

HID ballasts are HPF. Fluorescent ballasts for 26/32/42W PL-T are electronic, universal voltage 120-277V, 50 or 60 Hz. Ballasts are factory wired and tested.

Wiring Compartment:

One 1/2" NPT conduit tap on the back, two 3/4" NPT taps on the bottom and one 3/4" NPT tap on each side for easy through wiring.

Finish:

Thermoset polyester powdercoat, laboratory tested for superior weatherability and fade resistance in accordance with ASTM B-117-64 and ANSI/ASTM G53-77 specifications.

Warranty:

Three year limited warranty.

Certification:

ETL Listed to U.S. and Canadian safety standards for wet locations.

Accessories

(Must be Ordered Separately and Field Installed)

BMAKM: Masonry Mounting Kit

BMAKNS: New Stud Wall Mounting Kit

BMAKES: Existing Stud Wall Mounting Kit



BMAKM



BMAKNS



BMAKES

WLA4 Step Light

Project:

Fixture Type:

- A=Black
- B=White
- H=Bronze
- Z=Custom
- 120=120V
- 208=208V
- 220=220VAC, 50Hz (HPS only)
- 240=240V
- 277=277V
- 347=347V
- Q=Quartz Restrike
- F=Fusing
- DF=Double Fusing
- P=Thermal Protector**

Ordering Logic

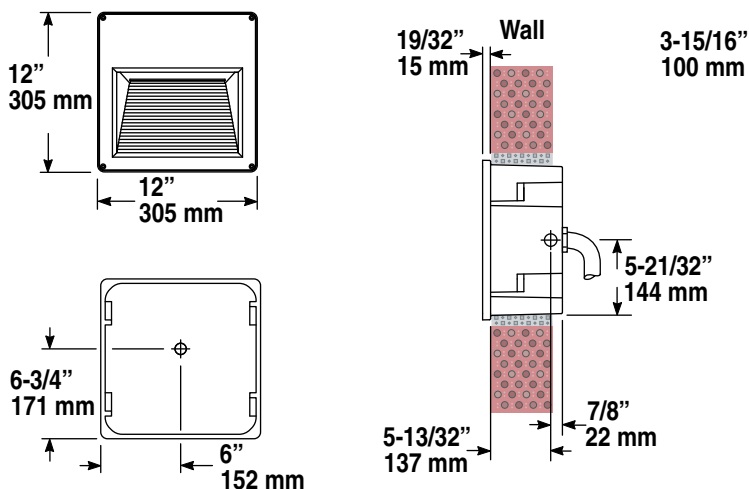
Wattage/Lamp	Model No.	Finish	Voltage	Options	Thermal Protector
39W Metal Halide T6	WLA4039MH	()	(120,277)	()	(120,277)
50W Metal Halide E17	WLA4050MH	()	(no 120)	()	(120,277)
70W Metal Halide E17	WLA4070MH	()	()	()	(120,277)
70W Metal Halide T6	WLA4070TMH	()	(120,277,347)	()	(120,277)
100W Metal Halide E17	WLA4100MH	()	()	()	(120,277)
35W High Pressure Sodium E17	WLA4035HPS	()	()	()	(120,277)
50W High Pressure Sodium E17	WLA4050HPS	()	()	()	(120,277)
70W High Pressure Sodium E17	WLA4070HPS	()	()	()	(120,277)
100W High Pressure Sodium E17	WLA4100HPS	()	()	()	(120,277)
26W PL-T GX24q-3	WLA4026F	()	*	(F,DF)	-
32W PL-T GX24q-3	WLA4032F	()	*	(F,DF)	-
42W PL-T GX24q-4	WLA4042F	()	*	(F,DF)	-

To order fixture without housing, add suffix "LH" (less housing) to complete catalog number. Example: WLA4039MHA120QLH.
 *Universal voltage accepts 120V to 277V, 50Hz or 60Hz.
 **Thermal protection is required for interior or insulated walls. Add suffix "P" to ordering number. Not required for fluorescent.

Note: Lamp not included.

Model No:	Finish:	Voltage:	Options:	Thermal Protector:
-----------	---------	----------	----------	--------------------

Dimensions



Project Notes:

Approval:

Any dimension on this sheet is to be assumed a reference dimension and used for information purposes only. It does not govern manufacturing or inspection requirements.

Hg Some luminaires use fluorescent or high intensity discharge (HID) lamps that contain small amounts of mercury. Such lamps are labeled "Contains Mercury" and/or with the symbol "Hg." Lamps that contain mercury must be disposed of in accordance with local requirements. Information regarding lamp recycling and disposal can be found at www.lamprecycle.org

Bronzelite®

100 Craftway Drive • Littlestown, PA 17340
 800 273-1569 • Fax 717 359-9545 www.bronzelite.com