

WLA3 Step Light



Superior Performance

The WLA3 Recessed Round Steplight combines elegant styling with multiple lamping options available. The WLA3 Round Steplight has a cast louver face plate with a shadow-free frosted lens.

ADA

Specifications

Housing:

Recessed, water-tight diecast aluminum (copper-free) for corrosion resistance in concrete applications.

Fasteners:

Captive, black oxide stainless steel, tamper resistant.

Gasket:

Single piece molded silicone.

Socket:

HID and incandescent models, porcelain 4KV pulse rated medium base socket. GY6.35 bi-pin for T4. Compact fluorescent models, high temperature plastic; 26 watt is GX24q-3, 32 watt is GX24q-3, 42 watt is GX24q-4.

Reflector:

Symmetric: Precision formed, highly polished specular aluminum. The frosted lens and cast louver offer lower light levels with cutoff for lighting stairways or general area lighting where shielding of the light source is more important than high light levels.

Asymmetric reflector: Precision formed, semi-specular and light diffuse aluminum, which is field-adjustable for an asymmetric right or left distribution for lighting stairways. Compact fluorescent lamping not available in asymmetric.

Lens Frame:

Cast Louver: Die-cast aluminum (copper-free), offering 45° shielding; lens is flat frosted glass and attached to back of louver with stainless steel clips. Lens is completely sealed to prevent water, dust and insect infiltration.

Bubble Lens: UV-stabilized injection molded clear polycarbonate; lamp projects out of the wall, enabling efficient bare lumens to be directed down at ground level and a wide distribution for further spacing of fixtures.

Ballast:

HID ballasts are HPF. Fluorescent ballasts for 26/32/42W PL-T are electronic, universal voltage 120-277V, 50 or 60 Hz. Ballasts are factory wired and tested.

Wiring Compartment:

Internal wiring compartment contains two (2) 1/2" NPT conduit taps in the bottom and one (1) 1/2" NPT conduit tap in each side. A removable plug will be provided for (3) of the (4) tapped holes.

Finish:

Thermoset polyester powdercoat, available in Black (BLK) and Dark Bronze (DB).

Warranty:

Three year limited warranty.

Certification:

ETL Listed to U.S. and Canadian safety standards for wet locations.

ADA:

This fixture is in compliance with the Americans with Disabilities Act.

Accessories

(Must be Ordered Separately and Field Installed)

BMAKM: Masonry Mounting Kit

BMAKNS: New Stud Wall Mounting Kit

BMAKES: Existing Stud Wall Mounting Kit



WLA3 Step Light

Project:

Fixture Type:

HL=Horizontal Louver
BL=Bubble Lens

120=120V
208=208V
240=240V
277=277V

BLK=Black
DB=Dark Bronze

P=Thermal Protection¹

Ordering Logic

Wattage/Lamp	Model No.	Face Plate	Voltage	Finish	Thermal Protector
50W Metal Halide E17	WLA3050MH	()	(120,277)	()	()
70W Metal Halide E17	WLA3070MH**	(BL)	(120,277)	()	-
35W High Pressure Sodium E17	WLA3035HPS	()	(120,277)	()	()
50W High Pressure Sodium E17	WLA3050HPS	()	(120,277)	()	()
70W High Pressure Sodium E17	WLA3070HPS**	(BL)	(120,277)	()	-
26W Fluorescent PL-T GX24q-3	WLA3026F	()	()	()	-
32W Fluorescent PL-T GX24q-3	WLA3032F	()	()	()	-
42W Fluorescent PL-T GX24q-4	WLA3042F	()	()	()	-
50W Low Voltage T4 (LV Transformer Included)	WLA3050	()	(120/12)	()	()
60 W Incandescent A19	WLA3060INC	()	(120)	()	()
-	WLA3HO	-	-	()	-
	(Housing only for Pre-ship)				

To order fixture without housing, add suffix "LH" (less housing) to complete catalog number. Example: WLA3050MHHL120DBLH

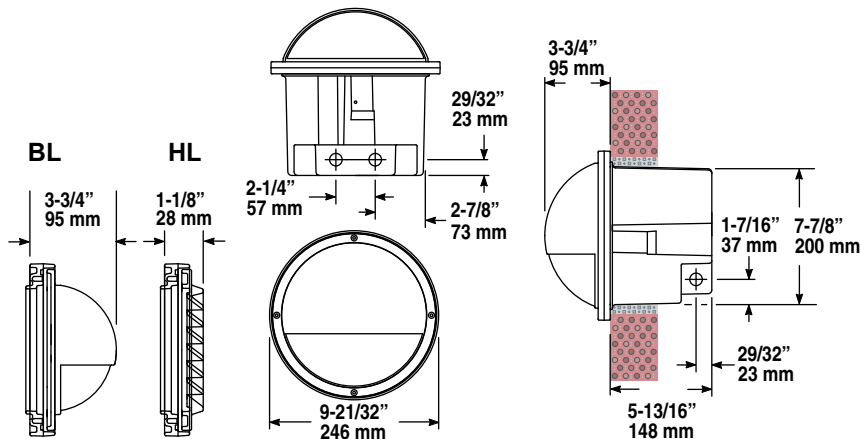
*Thermal protection is required for interior or insulated walls. Add suffix "P" to ordering number. Not required for fluorescent.

**Both 70W Metal Halide and High Pressure Sodium are with Bubble Lens only and masonry installations only.

Note: Lamp not included.

Model No.:	Face Plate:	Voltage:	Finish:	Thermal Protector:
------------	-------------	----------	---------	--------------------

Dimensions



Project Notes:

Approval:

Any dimension on this sheet is to be assumed a reference dimension and used for information purposes only. It does not govern manufacturing or inspection requirements.

Bronzelite®

100 Craftway Drive • Littlestown, PA 17340
800 273-1569 • Fax 717 359-9545 www.bronzelite.com

Hg Some luminaires use fluorescent or high intensity discharge (HID) lamps that contain small amounts of mercury. Such lamps are labeled "Contains Mercury" and/or with the symbol "Hg." Lamps that contain mercury must be disposed of in accordance with local requirements. Information regarding lamp recycling and disposal can be found at www.lamprecycle.org