

WLA2 Step Light



Superior Performance

Durable high performance recessed Bronzelite step lights offer superior performance with ease of installation and service. They are available in incandescent, HID, fluorescent and low voltage sources to address all of your step light needs. The choice of horizontal louver or frosted lens unit fits discretely into a cinder block space and enables light to be directed where needed.

ADA

Specifications

Housing:

Recessed, water-tight, die-cast, copper-free aluminum for corrosion resistance in concrete applications. Includes four 1/2" NPT conduit entries and ample wiring compartment for through-wiring.

Trim Ring:

HL: Die-cast, copper-free aluminum for superior corrosion resistance. HF: Polycarbonate, color impregnated dark bronze finish. Both: Silicone gasket ensures positive, watertight seal.

Face Plate:

Horizontal louver assemblies die-cast aluminum with 45° cutoff. Lens frame for frosted lens is natural cast bronze with finish to match fixture.

Reflector:

High performance polished, specular aluminum.

Lens:

Louvered fixtures have clear, tempered glass. Frosted lens is tempered glass.

Fasteners:

Tamper-resistant stainless steel.

Electrical:

Sockets are pre-wired with high temperature #18 AWG wire. Electrical components are mounted to a removable tray with quick disconnect for easy installation after housing is installed.

Ballast:

HID ballasts are HPF. Fluorescent ballasts for 26/32/42W PL-T are electronic, universal voltage 120-277V, 50 or 60 Hz. Ballasts are factory wired and tested.

Step-Down Transformer:

120:12 core and coil isolated primary to secondary. 95% efficiency rating, sound rating "A".

Sockets:

All incandescent and HID sockets are 4kv pulse rated high temperature porcelain. 26 watt socket is GX24Q-3, 32 watt socket is GX24Q-3, 42 watt socket is GX24Q-4. All low voltage sockets are single contact bayonet base.

Thermal Protector:

Required for non-masonry incandescent and low voltage installations, must be ordered as an option (add suffix "P" to catalog number). Unit is mounted from inside the housing and is field replaceable without removing fixture from housing. Not required or offered for masonry installations.

Finish:

Housing, HL Trim Ring and Face Plate finished in thermoset polyester powdercoat, available in Dark Bronze (DB), Black (BLK), or White (WHT). Note: Back box trim must be painted to match the face plate.

Warranty:

Three year limited warranty.

Certification:

ETL Listed to U.S. and Canadian safety standards for wet locations.

ADA:

This fixture is in compliance with the Americans with Disabilities Act.

Accessories

(Must be Ordered Separately and Field Installed)

BMAKM: Masonry Mounting Kit

BMAKNS: New Stud Wall Mounting Kit

BMAKES: Existing Stud Wall Mounting Kit



BMAKM

BMAKNS

BMAKES

WLA2 Step Light

Project:

Fixture Type:

HL=Horizontal Louver
HF=Horizontal Frosted

120=120V
277=277V

DB=Dark Bronze (standard)
BLK=Black
WHT=White

P=Thermal Protection¹

Ordering Logic

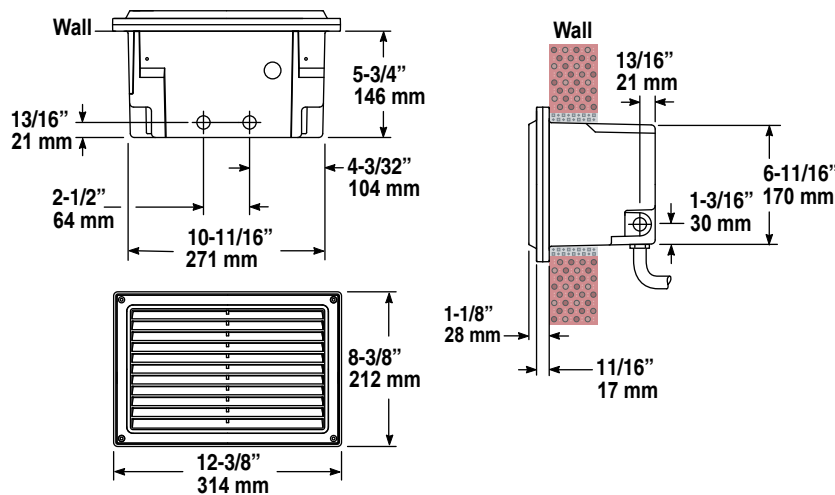
Wattage/Lamp	Model No.	Face Plate	Voltage	Finish	Thermal Protector
50W Metal Halide E17	WLA2050MH	()	()	()	()
70W Metal Halide E17	WLA2070MH	()	()	()	()
35W High Pressure Sodium E17	WLA2035HPS	()	()	()	()
50W High Pressure Sodium E17	WLA2050HPS	()	()	()	()
70W High Pressure Sodium E17	WLA2070HPS	()	()	()	()
60W Incandescent A19	WLA2060I	()	(120)	()	()
26W PL-T GX24q-3	WLA2026F	()	()	()	-
32W PL-T GX24q-3	WLA2032F	()	()	()	-
42W PL-T GX24q-4	WLA2042F	()	()	()	-
50W T4 (LV Transformer Included)	WLA2050	()	(120/12)	()	()
	WL2HO (housing only)	-	-	-	-

To order fixture without housing, add suffix "LH" (less housing) to complete catalog number. Example: WLA2050MH120DBLH
 1 - Thermal protection is required for interior or insulated walls. Add suffix "P" to ordering number. Not required for LED and fluorescent.

Note: Lamp not included.

Model No.:	Face Plate:	Voltage:	Finish:	Thermal Protector:
------------	-------------	----------	---------	--------------------

Dimensions



Project Notes:

Approval:

Any dimension on this sheet is to be assumed a reference dimension and used for information purposes only. It does not govern manufacturing or inspection requirements.

Some luminaires use fluorescent or high intensity discharge (HID) lamps that contain small amounts of mercury. Such lamps are labeled "Contains Mercury" and/or with the symbol "Hg." Lamps that contain mercury must be disposed of in accordance with local requirements. Information regarding lamp recycling and disposal can be found at www.lamprecycle.org

Bronzelite[®]

100 Craftway Drive • Littlestown, PA 17340
 800 273-1569 • Fax 717 359-9545 www.bronzelite.com

© 2010 Bronzelite, Inc. All rights reserved.
 Bronzelite is a registered trademark of Philips.

Due to a program of continuous improvement, Bronzelite reserves the right to make any variation in design or construction to the equipment described.