

FIXTURE TYPE: _____
 PROJECT NAME: _____

BRONZELITE WLB1003 LED BRICKLYTE SPECIFICATION SHEET



Bronzelite LED bricklytes are designed as a matched replacement for a standard sized brick. The choice of horizontal, vertical or frosted lens unit fits discretely into a brick space and enables light to be directed where it is needed.

Cool external temperatures - **all below 38°C!** - so the luminaire is **cool to the touch, including the lens.** Perfect for high pedestrian traffic and plant life applications. Exceeds European Standard EN 563 for both 1 second (74°C for coated metal, 80°C for glass) and 4 seconds (61°C for coated metal, 70°C for glass) of contact.

SPECIFICATIONS

HOUSING: Recessed, water-tight, die-cast, copper-free aluminum for corrosion resistance in concrete applications. Includes two 1/2" NPT conduit entries and ample wiring compartment for through-wiring.

TRIM RING: Dark bronze (color-impregnated) polycarbonate for superior corrosion resistance. Silicone gasket ensures positive, watertight seal.

FACE PLATE: Horizontal and vertical louver assemblies sand cast bronze with 35° full cutoff. Lens frame for frosted lens is cast bronze.

LENS: Louvered fixtures have clear, tempered glass. Frosted lens is tempered glass.

LEDs: Luxeon® white brightness (HB) LEDs. Deliver 70% lumen maintenance at 50,000 hours. Cool white (5500K nominal).

FASTENERS: Tamper-resistant stainless steel.

ELECTRICAL: 10.4 total watts. Input voltage range of 108-132VAC.

Powered by Advance™: Integral Advance™ electronic LED driver with integral surge protector. UL Class 2. -40°C/F minimum starting temperature. Pre-wired with #18 AWG wire. Electrical components are mounted to a removable tray for easy installation after housing is installed.

WARRANTY: 3 year limited warranty.

FINISH: Housing finished in thermoset polyester powdercoat in Dark Bronze.

CERTIFICATION: UL Listed to U.S. safety standards for wet locations (outdoors) and for indoors. cUL Listed to Canadian safety standards for wet locations (outdoors).

ADA: This fixture is in compliance with the Americans with Disabilities Act.

IP66: Dust-tight and sealed against direct jets of water.

CCT, nom.	Input Voltage Range	Input Draw, max.	Power Consumption	Luminaire Efficacy*	Total Lumens*	Starting Temp., min.
5500K	108-132VAC	0.14A	10.4W	11.1LPW	115	-40°C/F

*Efficacy and Total Lumens include losses due to driver, collimating optics and/or lens/diffuser.

ACCESSORIES (Must Be Ordered Separately and Field Installed)



BMAKM: Masonry Mounting Kit



BMAKNS: New Stud Wall Mounting Kit



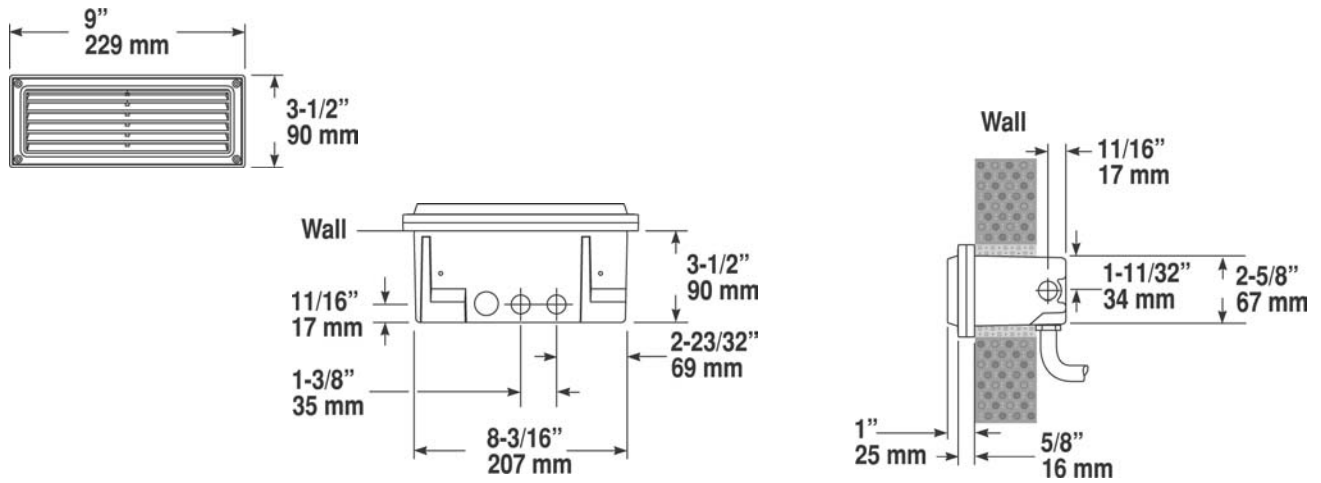
BMAKES: Existing Stud Wall Mounting Kit



Note: Bronzelite reserves the right to modify the above details to reflect changes in the cost of materials &/or production &/or design without prior notice.
 BRONZELITE - GENLYTE GROUP • 100 Craftway • Littlestown, PA 17340 • Ph. 800-273-1569 • Fax (717) 359-9545 • www.bronzelite.com

FIXTURE TYPE: _____
 PROJECT NAME: _____

DIMENSIONS & MOUNTING DETAILS



ORDERING LOGIC WLB1003 LED

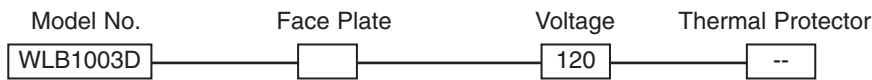
HL=Horizontal Louver
 HF=Horizontal Frosted
 VL=Vertical Louver
 120=120V
 P=Thermal Protection*

Wattage/Lamp	Model No.	Face Plate	Voltage	Finish	Thermal Protector
(3) 1W LEDs	WLB1003D	()	120	Natural Cast Bronze	-
-	WL1DH0-BZ (Housing only for Pre-Ship)	-	-	-	-

To order fixture without housing, add suffix "LH" (less housing) to complete catalog number. Example: **WLB1003DHL120LH**

*Thermal protection is not required for LED.

Note: LEDs included.



PROJECT NOTES

APPROVAL

Bronzelite® Sure to endure®

Note: Bronzelite reserves the right to modify the above details to reflect changes in the cost of materials &/or production &/or design without prior notice.

BRONZELITE - GENLYTE GROUP • 100 Craftway • Littlestown, PA 17340 • Ph. 800-273-1569 • Fax (717) 359-9545 • www.bronzelite.com

ISO 9001:2000 Registered

Copyright Genlyte Group, BRONZELITE Division 2007

WLB1003LED-Rev5