

Bronzelite

100 Craftway Drive • Littlestown, PA 17340 • Phone: 800 273-1569 • Fax: 717 359-9545 • www.bronzelite.com

TL4012 LED



LED Accent - Heavy Duty - Low Maintenance

TL Series accents are compact, rugged luminaires perfect for highlighting a wide variety of landscape and architectural elements. Available in many sizes, TL accents offer choices in sources, power distribution systems and accessories. Available sources include LED, MR16, PAR/R incandescents, CFL and HID. Sleek lines with heavy-duty construction ensure beautification and enduring, low maintenance operation.

ETL Listed for both outdoor and indoor use, cETL outdoor only. Cool external temperatures - all below 46°C! - so the luminaire is cool to the touch, including the lens. Perfect for high pedestrian traffic and plant life applications.

IP66 Rating

Specifications

Housing:

Die cast aluminum (copper free) with stainless steel fasteners and fully adjustable swivel arm with vibration-proof locking teeth. Shield provided for glare control.

Lens:

Clear tempered glass, part of glare shield.

LEDs:

White high brightness (HB) LEDs. Deliver 70% lumen maintenance at 50,000 hours. Cool white (4000K nominal). Warm lens (3000K nominal).

Electrical:

12.4 total watts. Input voltage range of 10.8-17.5 VAC/60Hz. Supply requires remote magnetic 60Hz transformer.

Powered by Advanced:

Integral Advance™ electronic LED driver with integral surge protector. UL Class 2. -40°C/F minimum starting temperature. 12VAC/60Hz luminaire, requires remote magnetic transformer

Optics:

Integral spot (8°), medium flood (24°) and wide flood (40°) optics available.

Gaskets:

High temperature silicone.

Wiring:

Prewired with a 3' pigtail and a quick connector for easy hook-up to the supply cable.

Finish:

Color thermoset polyester powdercoat. Standard finishes include Dark Bronze (DB) and Black (BLK).

Warranty:

Five year limited warranty.

Certification:

ETL Listed to U.S. safety standards for wet locations (outdoors) and for indoors. cETL Listed to Canadian safety standards for wet locations (outdoors). ADA compliant when used in concrete and flush mounted with BCP5.

IP66 Rating:

Dust-tight and sealed against direct jets of water.

Luminaire	CCT, nom.	Input Voltage Range	Input Draw, max.	Power Consumption	Luminaire Efficacy*	Total Lumens	Starting Temp., min.
TL4012DLVSS_C	4000K	10.8-17.5VAC	1.2A	10W	34.1	341	-40°C/F
TL4012DLVSF_C	4000K	10.8-17.5VAC	1.2A	10W	31.5	315	-40°C/F
TL4012DLVSS_W	3000K	10.8-17.5VAC	1.2A	10W	32.8	328	-40°C/F
TL4012DLVSF_W	3000K	10.8-17.5VAC	1.2A	10W	30.5	305	-40°C/F

*Efficacy and Total Lumens included losses due to driver, collimating optics and/or lens/diffuser.

TL4012 LED

Project:

Fixture Type:

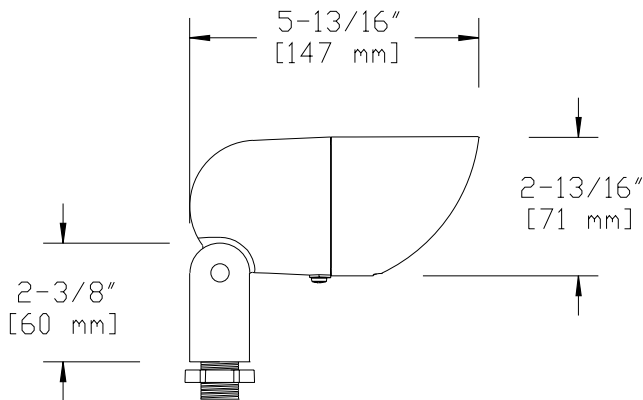
S=Shield
S=Spot
F=Flood (wide)
M=Flood (medium)
BLK=Black
DB=Dark Bronze
C=Cool White (4000K)
W=Warm White (3000K)

Ordering Logic					
Lamp	Model No.	Shroud	Distribution	Finishes	Color Temperature
12W LED	TL4012DLV	(S)	()	()	()

Note: LEDs included.
Requires remote magnetic (60Hz) transformer.

Model No: TL4012DLV	Shroud: S	Distribution:	Finishes:	Color Temperature:
--------------------------------------	----------------------------	----------------------	------------------	---------------------------

Dimensions



Project Notes:

Approval:

Any dimension on this sheet is to be assumed a reference dimension and used for information purposes only. It does not govern manufacturing or inspection requirements.

Some luminaires use fluorescent or high intensity discharge (HID) lamps that contain small amounts of mercury. Such lamps are labeled "Contains Mercury" and/or with the symbol "Hg." Lamps that contain mercury must be disposed of in accordance with local requirements. Information regarding lamp recycling and disposal can be found at www.lamprecycle.org

Bronzelite

100 Craftway Drive • Littlestown, PA 17340
800 273-1569 • Fax 717 359-9545 www.bronzelite.com