

GM5012



LED Inground - Maintenance Free

The GM5 Series ingrounds virtually disappear but still pack quite a punch! LED and MR16 sources put the light right where you want it. For a durable, virtually maintenance-free inground, specify the GM5 Series!

UL Listed for both outdoor and indoor use, cUL outdoor only. Cool external temperatures - all below 38°C! - so the luminaire is cool to the touch, including the lens. Perfect for high pedestrian traffic and plant life applications. Exceeds European Standard EN 563 for both 1 second (85°C for composite, 80°C for glass) and 4 seconds (74°C for composite, 70°C for glass) of contact.

IP66/68 Rating

Specifications

Housing:

Single-piece injection molded, fiberglass reinforced Ultem® High Performance Polymer with high temperature rating.

Lens:

Clear tempered soda-lime glass for high impact resistance or warm white lens 3000K. Lens is convex to assist in water runoff.

Lens Gasket:

High temperature silicone suitable for extreme conditions.

Lens Ring:

Single-piece injection molded, fiberglass reinforced Ultem® High Performance Polymer with high temperature rating. Twist-lock with single screw for ease of maintenance.

LEDs:

Type III Luxeon® white high brightness (HB) LEDs. Deliver 70% lumen maintenance at 50,000 hours. Cool white (5500K nominal). Warm lens (3000K nominal).

Electrical:

12.4 total watts. Integral electronic LED driver with integral surge protector. Input voltage range 10.8-17.5 VAC/60Hz. Supply requires remote magnetic 50Hz transformer.

Powered by Advanced:

Integral Advance™ electronic LED driver with integral surge protector. UL Class 2. -40°C/F minimum starting temperature. 12VAC/60Hz luminaire, requires remote magnetic transformer.

Optics:

Integral spot (12°) or narrow flood (25°) optics available.

Wiring:

Prewired with a 3' pigtail and a quick connector for easy hook-up to the supply cable.

Warranty:

Five year limited warranty.

Certification:

UL Listed to U.S. safety standards for wet locations (outdoors) and for indoors. cUL Listed to Canadian safety standards for wet locations (outdoors). ADA compliant when used in concrete and flush mounted with BCP5.

IP66/68 Rating:

Dust-tight and dual rated - sealed against direct jets of water and against continuous immersion up to a depth of 1 meter (3.28 feet).

Accessories:

(Must be ordered separately and field installed)

BCP5: PVC concrete pour kit is the standard kit for use when GM5012 fixture is installed flush in concrete. BCP5 and fixture housing must be installed together.

GM5012

Project:

Fixture Type:

S=Spot
F=Flood (narrow)

R=Composite Lens
Ring (standard)

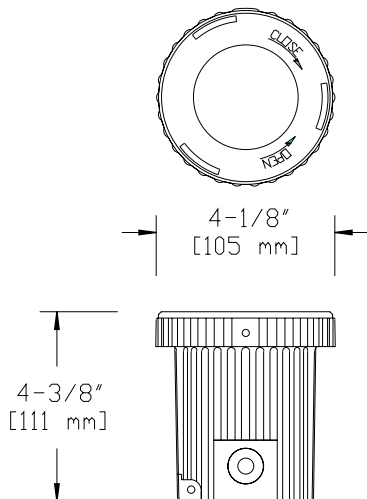
C=Cool White (5500K)
W=Warm White (3000K)

Ordering Logic					
Wattage/Lamp	Model No.	Distribution	External Accessory	Voltage	Color Temperature
LED	GM5012DLV	()	(R)	(12)	()

Note: LEDs included.
Note: Requires remote magnetic (60Hz) transformer.

Model No: GM5012DLV	Distribution:	External Accessory: R	Voltage: 12	Color Temperature:
-------------------------------	---------------	---------------------------------	-----------------------	--------------------

Dimensions



Project Notes:

Approval:

Any dimension on this sheet is to be assumed a reference dimension and used for information purposes only. It does not govern manufacturing or inspection requirements.

Bronzelite®
100 Craftway Drive • Littlestown, PA 17340
800 273-1569 • Fax 717 359-9545 www.bronzelite.com

Some luminaires use fluorescent or high intensity discharge (HID) lamps that contain small amounts of mercury. Such lamps are labeled "Contains Mercury" and/or with the symbol "Hg." Lamps that contain mercury must be disposed of in accordance with local requirements. Information regarding lamp recycling and disposal can be found at www.lamprecycle.org