

Bronzelite

100 Craftway Drive • Littlestown, PA 17340 • Phone: 800 273-1569 • Fax: 717 359-9545 • www.bronzelite.com

4012DLV LED



Fountains - Pools - Freestanding

The versatile 4000 Series freestanding underwater fountain and Wet/Dry (LED version) luminaires accent decorative fountains, reflection pools and their features.

ETL Listed for both outdoor and indoor use, totally submerged (wet) or totally exposed (dry), cETL outdoor submerged only. Cool external temperatures - all below 31°C when underwater! - so the luminaire is cool to the touch, including the lens. Perfect for high pedestrian traffic and plant life applications.

Specifications

Housing:

Single-piece injection molded, fiberglass reinforced Ultem® High Performance Polymer with high temperature rating.

Lens and Gasket:

Lens is clear tempered soda-lime glass for high impact resistance. Lens is convex to assist in water runoff. Gasket is high temperature silicone suitable for extreme conditions.

Lens Ring:

Single-piece injection molded, fiberglass reinforced Ultem® High Performance Polymer with high temperature rating. Twist-lock with single screw for ease of maintenance.

LEDs:

White high brightness (HB) LEDs. Deliver 70% lumen maintenance at 50,000 hours. Cool white (4000K nominal). Warm lens (3000K nominal).

Electrical:

12.4 total watts. Integral electronic LED driver with integral surge protector. Input voltage range of 10.8-17.5 VAC/60Hz.

Powered by Advance™:

Integral Advance™ electronic LED driver with integral surge protector. UL Class 2. -40°C/F minimum starting temperature. Supply, requires remote magnetic 60Hz transformer.

Wiring:

Prewired with a 10' pigtail and a quick connector for easy hook-up to the supply cable.

Warranty:

Five year limited warranty.

Certification:

ETL Listed to U.S. safety standards for wet locations (underwater) and dry locations (non-submerged) outdoors and indoors. cETL Listed to Canadian safety standards for wet locations (underwater).

IP66/68 Rating:

Immersion up to a depth of 1 meter (3.28 feet).

Accessories: (Must Be Ordered Separately and Field Installed)

JB1:

Junction Box-2 lights, 10.5 cubic inches. Singles 3/4" N.P.T. bottom. (2) 1/2" or 3/4", one each end.

JB2:

Junction Box-4 lights, 21.3 cubic inches. (2) 1" max. N.P.T. bottom. (4) 1/2" or 3/4", one each end.

JB4:

Junction Box-8 lights, 40 cubic inches. (2) 1-1/4" N.P.T. bottom. (8) 1/2" or 3/4", two each side.

JB6:

Junction Box-12 lights, 125.7 cubic inches. (2) 2" N.P.T. bottom. (20) 1/2" or (16) 3/4", sides.

CC50:

Machined Naval Brass Cord Seal-Neoprene packing seal, brass friction ring. 1/2" N.P.T. for use with 16-3 STO-WA entry into junction box.

CC50F:

Strain Relief, Machined Naval Brass Cord Seal-Neoprene packing seal, brass friction ring. 1/2" N.P.T. x 16-3 cord.

EC34:

Stainless steel waterproofing penetration fitting. 3/4" N.P.T. x 8" long for use with supply conduit into junction box.

EC1:

Stainless steel waterproofing penetration fitting. 1" N.P.T. x 8" long for use with supply conduit into junction box.

4012DLV

Project:

Fixture Type:

S=Spot
F=Flood (wide)
M=Flood (medium)

C=Cool White (4000K)
W=Warm White (3000K)

Ordering Logic			
Wattage/Lamp	Model No.	Distribution	Color Temperature
12 Watt LED	4012DLV	()	()

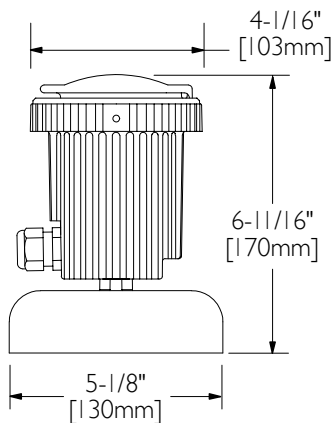
Note: LEDs included.
Requires remote magnetic (60Hz) transformer.

Model No: 4012DLV	Distribution	Color Temperature:
-----------------------------	--------------	--------------------

CCT, nom.	Input Voltage Range	Input Draw, max.	Power Consumption	Luminaire Efficacy*	Total Lumens*	Starting Temp., min.
4000K	10.8-17.5VAC	1.2A	10.0W	31.5LPW	315	-40°C/F
3000K	10.8-17.5VAC	1.2A	10.0W	30.5LPW	305	-40°C/F

*Efficacy and Total Lumens include losses due to driver, collimating optics and/or lens/diffuser.

Dimensions



Project Notes:

Approval:

Any dimension on this sheet is to be assumed a reference dimension and used for information purposes only. It does not govern manufacturing or inspection requirements.

Bronzelite

100 Craftway Drive • Littlestown, PA 17340
800 273-1569 • Fax 717 359-9545 www.bronzelite.com

