

GM4000 Incandescent Inground



Flag Pole - Tree Lighting - Wall Washing

The GM4000 Series grade-mounted lighting is a flexible series offering high performance optics and a complete choice of light sources including metal halide, high pressure sodium and incandescent/quartz. Higher wattages of up to 250 watt H.I.D. and up to 500 watt incandescent available for more demanding lighting tasks including larger area wall washing and taller flag poles.

Specifications

Housing:

Single piece, compression molded, fiberglass reinforced polyester composite with integral lamp, ballast and junction box compartments with epoxy anti-siphon barrier. Two 3/4" N.P.T. conduit entrances are provided on the bottom of the junction box. Finish is dark bronze.

Top Plate and Lens Frame:

Dark bronze polyester composite (standard). Optional polyester powder-coated cast aluminum top plate is available.

Sockets:

4kv, pulse-rated, heavy-duty glazed porcelain for medium and mogul base lamps. Mogul end prong lamp is provided for PAR56 lamp.

Aiming:

360° horizontal rotation adjustment. For PAR56 lamps: 25° vertical adjustment. For PAR38/R40 lamps: 30° vertical adjustment.

Lens:

3/8" thick, clear, high-impact tempered glass. Lens is crowned and mounted flush with lens retainer to resist debris accumulation. 1,300 pound liveload (walk-over rated).

Gasketing:

Single piece molded, ribbed silicone to provide a watertight sealing system.

Fasteners:

Tamperproof stainless steel.

Rockguard: Optional, directional to control glare. Available in compression molded composite or cast bronze.

Wiring:

High temperature wiring fixture.

Warranty:

Three year limited warranty.

Certification:

ETL Listed to U.S. and Canadian safety standards for wet locations. ADA compliant when using in concrete and flush mounted with GM4CMF.

Accessories:

(Must Be Ordered Separately and Field Installed)

GM4CRG*: Cast aluminum rock guard (dark bronze).

GM4RG*: Wire rock guard.

GM4HCL: Honeycomb louver for E17 lamps.

GM4DS*: Cast aluminum directional shield (dark bronze).

GM4GL: Internal glare louver.

GM4DL: Internal directional louver.

GM4DSG: Cast aluminum directional shield & rock guard (dark bronze).

GM4CMF: Concrete mounting frame.

*Can not use GM4DS with GM4CRG or GM4RG, order GM4DSG



GM2EL45



GM2DSA



GM2CRG



GM2EL45



GM2DSA



GM2CSL



GM2EL90

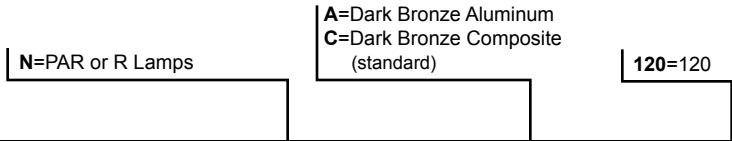


GM2CMF

GM4000 Incandescent Inground

Project: _____

Fixture Type: _____



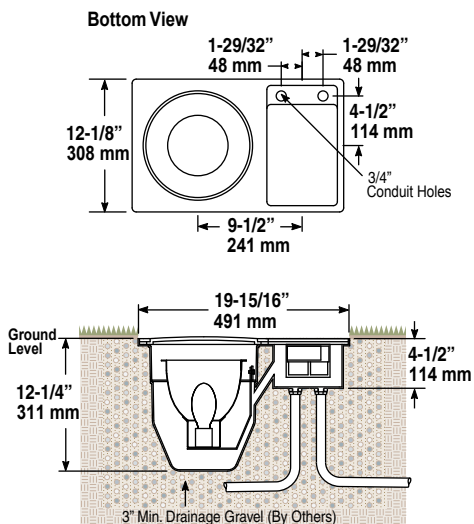
Ordering Logic

Wattage/Lamp	Model No.	Reflector	Top Plate	Voltage
100-300W Incandescent PAR38 or R40	GM4300I	(N)	()	(120)
300-500W Incandescent PAR56	GM4500I	(N)	()	(120)

NOTE: Lamp not included.

Model No:	Reflector:	Top Plate:	Voltage:
	N		120

Dimensions



Project Notes:

Approval:

Any dimension on this sheet is to be assumed a reference dimension and used for information purposes only. It does not govern manufacturing or inspection requirements.

Hg Some luminaires use fluorescent or high intensity discharge (HID) lamps that contain small amounts of mercury. Such lamps are labeled "Contains Mercury" and/or with the symbol "Hg." Lamps that contain mercury must be disposed of in accordance with local requirements. Information regarding lamp recycling and disposal can be found at www.lamprecycle.org

Bronzelite®
 100 Craftway Drive • Littlestown, PA 17340
 800 273-1569 • Fax 717 359-9545 www.bronzelite.com