

Bronzelite

100 Craftway Drive • Littlestown, PA 17340 • Phone: 800 273-1569 • Fax: 717 359-9545 • www.bronzelite.com

GM4000 HID Inground



Flag Pole - Tree Lighting - Wall Washing

The GM4000 Series grade-mounted lighting is a flexible series offering high performance optics and a complete choice of light sources including metal halide, high pressure sodium and incandescent/quartz. Higher wattages of up to 250 watt H.I.D. and up to 500 watt incandescent available for more demanding lighting tasks including larger area wall washing and taller flag poles.

Caution: Landscape lighting fixtures can sometimes produce extreme heat on the lens. Care should be taken when installing in walkway areas as lens temperatures from certain lamps could injure bare feet.

Specifications

Housing:

Single piece, compression molded, fiberglass reinforced polyester composite with integral lamp, ballast and junction box compartments with epoxy anti-siphon barrier. Two 3/4" N.P.T. conduit entrances are provided on the bottom of the junction box. Finish is dark bronze.

Top Plate and Lens Frame:

Dark bronze polyester composite (standard).
Optional polyester powder-coated cast aluminum top plate is available.

Reflector:

Reflectors for for E17, E28 and T15 vertical lamps are specular spun aluminum. Reflectors for E17 horizontal lamps are a combination of Hammertone® and specular formed aluminum.

Sockets:

Pulse-rated, heavy-duty glazed porcelain for medium and mogul base lamps.

Aiming:

360° horizontal rotation adjustment. For E17, E28 and T15 vertical lamps: 15° adjustment either side of vertical. For E17 horizontal lamps: 25° vertical adjustment. For PAR38 and R40 lamps: 30° vertical adjustment.

Lens:

3/8" thick, clear, high-impact tempered glass. Lens is crowned and mounted flush with lens retainer to resist debris accumulation. 1,300 pound liveload (walk-over rated).

Gasketing:

Single piece molded, ribbed silicone to provide a watertight sealing system.

Fasteners:

Tamperproof stainless steel.

Rockguard: Optional, directional to control glare. Available in compression molded composite or cast bronze.

Ballast Module:

Core and coil, high power factor. Epoxy dipped for moisture resistance.

Wiring:

High temperature wiring fixture.

Warranty:

Three year limited warranty.

Certification:

ETL Listed to U.S. and Canadian safety standards for wet locations. ADA compliant when using in concrete and flush mounted with GM4CMF.

Accessories:

(Must Be Ordered Separately and Field Installed)

GM4CRG*: Cast aluminum rock guard (dark bronze).

GM4RG*: Wire rock guard.

GM4HCL: Honeycomb louver for E17 lamps.

GM4DS*: Cast aluminum directional shield (dark bronze).

GM4GL: Internal glare louver.

GM4DL: Internal directional louver.

GM4DSG: Cast aluminum directional shield & rock guard (dark bronze).

GM4CMF: Concrete mounting frame.

*Can not use GM4DS with GM4CRG or GM4RG, order GM4DSG



GM4HCL



GM4DL



GM4CRG



GM4GL



GM4RG



GM4DS



GM4DSG



GM4CMF

GM4000 HID Inground

Project:

Fixture Type:

F=Flood
S=Spot
H=Horizontal
N=PAR or R Lamps

A=Dark Bronze Aluminum
C=Dark Bronze Composite
(standard)

120=120
208=208
240=240
277=277

Ordering Logic

Wattage/Lamp	Model No.	Reflector	Top Plate	Voltage
35W Metal Halide PAR20	GM4035MH	(N)	()	()
50W Metal Halide E17	GM4050MH	(F,S,H)	()	()
70W Metal Halide E17, PAR38	GM4070MH	()	()	()
100W Metal Halide E17, PAR38	GM4100MH	()	()	()
150W Metal Halide E17, PAR38	GM4150MH	()	()	()
250W Metal Halide S-T15, F-E28	GM4250MH	(F,S)	()	()
35W High Pressure Sodium E17	GM4035HPS	(F,S,H)	()	(120)
50W High Pressure Sodium E17	GM4050HPS	(F,S,H)	()	()
70W High Pressure Sodium E17, PAR38	GM4070HPS	()	()	()
100W High Pressure Sodium E17	GM4100HPS	(F,S,H)	()	()
150W High Pressure Sodium E17	GM4150HPS	(F,S,H)	()	()
250W High Pressure Sodium E28	GM4250HPS	(F,S)	()	()

NOTE: Lamp not included.

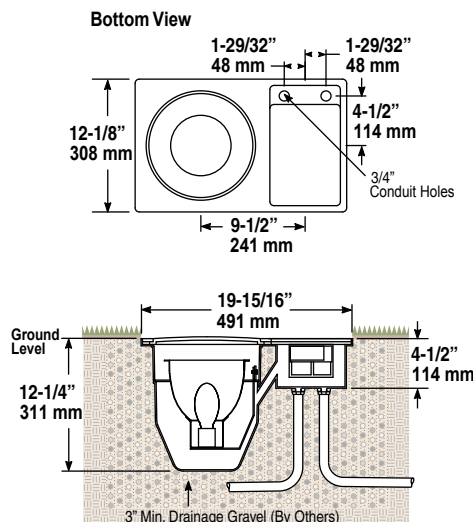
Model No:

Reflector:

Top Plate:

Voltage:

Dimensions



Project Notes:

Approval:

Any dimension on this sheet is to be assumed a reference dimension and used for information purposes only. It does not govern manufacturing or inspection requirements.

Hg Some luminaires use fluorescent or high intensity discharge (HID) lamps that contain small amounts of mercury. Such lamps are labeled "Contains Mercury" and/or with the symbol "Hg." Lamps that contain mercury must be disposed of in accordance with local requirements. Information regarding lamp recycling and disposal can be found at www.lamprecycle.org

Bronzelite

100 Craftway Drive • Littlestown, PA 17340
800 273-1569 • Fax 717 359-9545 www.bronzelite.com