

G8000 Incandescent Inground



Flag Pole - Tree Lighting - Building - Column

The G8000 Series incandescent inground fixture is a rugged and effective lighting luminaire for use in a wide variety of outdoor lighting applications using PAR38 and R40 incandescent light sources.

A tough polyester composite housing, molded tempered soda-lime lens and high-temperature silicone gasket give positive protection to optical and electrical components. Fixture can also be specified for use with PAR20 and PAR30 lamps. The lens is rated at 2,600 pound live-load for walk-over applications.

Caution: Landscape lighting fixtures can sometimes produce extreme heat on the lens. Care should be taken when installing in walkway areas as lens temperatures from certain lamps could injure bare feet.

Specifications

Housing:

Compression molded, fiberglass reinforced polyester composite with high temperature rating. Integral junction box with two 3/4" conduit entries. Re-enterable potting compound provided to seal junction box.

Lens:

Tempered soda-lime glass for high impact resistance. Lens is crowned to assist in water runoff. Slip resistant lens has concentric rings sandblasted into the surface of the lens for added traction without harming the mechanical integrity of the lens.

Lens Gasket:

High temperature silicone suitable for extreme conditions.

Lens Ring:

Single piece compression molded composite, cast bronze or cast matte stainless steel.

Sockets:

High temperature porcelain.

Rockguard:

Optional, directional to control glare. Available in compression molded composite (150 watts maximum) or cast bronze.

Aiming:

15° either side of vertical and rotatable 360°.

Warranty:

Three year limited warranty.

Certification:

ETL Listed to U.S. and Canadian safety standards for wet locations. ADA compliant when using in concrete and flush mounted with CP8 or CPS8.

Accessories:

(Must Be Ordered Separately and Field Installed)

- CP8:** PVC concrete pour kit is the standard kit for use when G8000 fixture is installed flush in concrete. CP8 and fixture housing must be installed together.
- CPS8:** Matte stainless steel concrete pour kit for use with the RS trim ring when fixture is installed in concrete. CPS8 and fixture housing must be installed together.
- IHL38:** Snap-on honeycomb louver for PAR38 lamps.
- G8RB:** Cast bronze trim ring.
- G8RS:** Cast matte stainless steel trim ring.
- G8DS:** Directional shield (rotatable 360°).
- G8ISL:** Multi-directional spread lens.
- G8IDL:** Laser-cut internal directional louver.
- G8SL:** Standard lens.
- G8SRL:** Slip-resistant lens.
- G8G:** Composite rockguard (150 watts maximum).
- G8GB:** Cast bronze rockguard.



CP8



CPS8



G8IDL



G8RS/G8RB



G8ISL



IHL17



G8DS



G8GB

G8000 Incandescent Inground

Project: _____

Fixture Type: _____

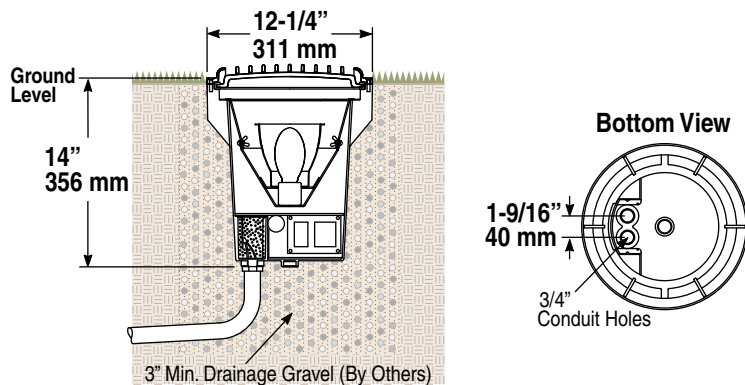
G=Composite Guard (150W max)
GB=Cast Bronze Guard
R=Composite Ring (standard)
RB=Cast Bronze Ring
RS=Matte Stainless Steel Ring
W=Walk-Over (standard)
S=Slip Resistant
 (Not used with rockguards)
N=PAR or R Lamps
120=120

Ordering Logic					
Wattage/Lamp	Model No.	External Accessory	Lens	Reflector	Voltage
150W Incandescent PAR38 Housing Only	G8150I G8HO	() -	() -	(N) -	(120) -

NOTE: Lamp not included.

Model No:	External Accessory:	Lens:	Reflector: N	Voltage: 120
-----------	---------------------	-------	-----------------	-----------------

Dimensions



Project Notes:

Approval:

Any dimension on this sheet is to be assumed a reference dimension and used for information purposes only. It does not govern manufacturing or inspection requirements.

Bronzelite[®]
 100 Craftway Drive • Littlestown, PA 17340
 800 273-1569 • Fax 717 359-9545 www.bronzelite.com

Some luminaires use fluorescent or high intensity discharge (HID) lamps that contain small amounts of mercury. Such lamps are labeled "Contains Mercury" and/or with the symbol "Hg." Lamps that contain mercury must be disposed of in accordance with local requirements. Information regarding lamp recycling and disposal can be found at www.lamprecycle.org