

DB8 Inground



Flag Pole - Tree Lighting - Building - Column

The DB8000 Series inground fixture is a rugged and effective lighting luminaire for use in a wide variety of outdoor lighting applications. A tough composite housing, molded tempered borosilicate glass lens and high temperature silicone gasket give positive protection to the optical and electrical components.

Light distributions include spot and flood reflectors for E17, PAR and T6 lamps. Equipped to use the latest Philips Solid State and Lamina LED modules. The lens is rated at 200 PSI live-load for walk-over applications.

IP65 & IP67 Rated



Specifications

Housing:

Compression molded, fiberglass reinforced polyester composite with high temperature rating. Integral junction box with two 3/4" conduit entries. The housing comes standard with a trim ring and debris cover.

Reflectors:

Highly specular aluminum Alzak™ finish reflector for NEMA type 1 and type 2 for spot or type 3 or 5 for flood distributions. A segmented wall wash is also available.

Lens:

Tempered flat borosilicate glass 7/16" standard or ADA anti-slip walkover tempered flat borosilicate glass lens. Lenses capable of 200 PSI loads. Optional linear spread lenses is available.

Lens Gasket:

High temperature injection molded silicone gasket suitable for extreme conditions.

Lens Frame:

Single piece heavy duty cast bronze lens frame with captive stainless steel screws.

Sockets:

High temperature porcelain, 4kv pulse rated medium base for HID.

Aiming:

Field adjustable up to 25° tilt and 360° horizontal rotation.

Ballast:

Quad-volt core and coil, high power factor. All electrical connections are quick-disconnect.

Finish:

Housing Bronze. Accessories and lens frame can be painted in standard or custom colors.

Warranty:

Three year limited warranty.

Certification:

ETL and CETL Listed to U.S. and Canadian safety standards for wet locations, direct burial and concrete pour. IP65 and IP67 rating.

Accessories:

- R:** Convex Rockguard.
- V:** Directional Shield
- I:** Internal Glare Shield
- H:** Hex Cell Louver
- E:** Glass Color Filter (Specify Color)
- M:** Concrete Mounting Frame
- S:** Stainless Steel Lens Frame

Caution: Landscape lighting fixtures can sometimes produce extreme heat on the lens. Care should be taken when installing in walkway areas as lens temperatures from certain lamps could injure bare feet.

DB8 Inground

Project:

Fixture Type:

- E**=120
- F**=208
- G**=240
- H**=277
- U**=UNIV
- CK**=CK-DMX⁵
- D**=E17, medium base
- T**=T6 base
- P**=PAR38 - (MH or INC)
- C**=CFT Fluorescent
- Q**=CFQ Fluorescent
- M**=T4mini Incandescent
- D**=Titan 25WLED
- R**=RGB LED
- S**=Spot
- F**=Flood
- W**=Wall Wash¹
- I**=Wall Wash w/ IGS¹
- S**=Spot CW/RGB LED
- T**=Spot WW LED
- U**=Flood CW LED
- X**=Flood WW LED
- F**=Flat
- S**=Wall Wash¹
- L**=Linear Spread
- A**=Flat or Wall Wash ADA¹
- B**=Linear Spread ADA
- R**=Convex Rockguard
- V**=Directional Shield
- I**=Internal Glare Shield
- H**=Hex Cell Louver
- S**=Stainless Steel Lens Frame
- M**=Concrete Mounting Frame
- E**=Red Glass Color Filter
- Y**=Yellow Glass Color Filter
- G**=Green Glass Color Filter
- B**=Blue Glass Color Filter
- Q**=Frosted Glass Filter
- N**=None
- 1**=BK - Black
- 2**=BZ - Bronze
- 3**=WH - White
- 6**=CC - Custom
- N**=None⁶

Ordering Logic

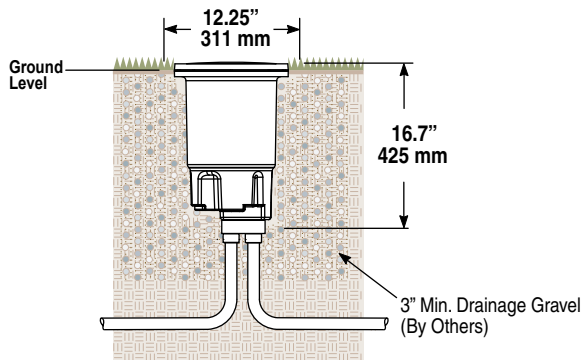
Wattage/Lamp	Model No.	Voltage ⁴	Socket	Reflector	Lens	Accessory	Finish ²
50W Metal Halide E17	DB8S50H	()	(D)	()	()	()	()
70W Metal Halide E17	DB8S70H	()	(D)	()	()	()	()
100W Metal Halide E17	DB8S10H	(E,F,G,H)	(D)	()	()	()	()
150W Metal Halide E17	DB8S15H	(E,F,G,H)	(D)	()	()	()	()
70W Metal Halide T6	DB8S70H	(E,H,U)	(T)	()	()	()	()
150W Metal Halide T6	DB8S15H	()	(T)	()	()	()	()
70W Metal Halide PAR30 ³	DB8S70H	()	(P)	(S,F)	()	(R,V,H,S,M,E,Y,G,B,Q)	()
100W Metal Halide PAR38 ³	DB8S10H	(E,F,G,H)	(P)	(S,F)	()	(R,V,H,S,M,E,Y,G,B,Q)	()
26CFQ Fluorescent	DB8S26F	(U)	(Q)	(F)	()	(R,V,H,S,M,E,Y,G,B,Q)	()
42CFT Fluorescent	DB8S42F	(U)	(C)	(F)	()	(R,V,H,S,M,E,Y,G,B,Q)	()
250INC Incandescent PAR38 ³	DB8S25I	(E)	(P)	(S,F)	()	(R,V,H,S,M,E,Y,G,B,Q)	()
250INC Incandescent T4mini	DB8S25I	(E)	(M)	(F)	()	(R,V,H,S,M,E,Y,G,B,Q)	()
25W LED Warm White (3050K)	DB8S25L	(U)	(D)	(T,X)	()	(R,V,H,S,M,E,Y,G,B,Q)	()
25W LED Cool White (4700K)	DB8S25L	(U)	(D)	(S,U)	()	(R,V,H,S,M,E,Y,G,B,Q)	()
18W LED RGB ⁵	DB8S25L	(CK)	(R)	(S)	()	(R,V,H,S,M,Q)	()

1. Wall Wash optical package comes with a dedicated wall wash lens. Only use the following combinations: WS, WA, IS, IA.
2. Painted Powder Coat Finish
3. Does not require internal optics.
4. Consult Factory for other voltages.
5. Requires Control System, Consult Factory

Note: E17 Lamps 150W and below are medium base
CF=single biax, CFQ = double biax, CFT = triple biax

Model No.	Voltage	Socket	Reflector	Lens	Accessory	Finish
-----------	---------	--------	-----------	------	-----------	--------

Dimensions



Project Notes:

Approval:

Any dimension on this sheet is to be assumed a reference dimension and used for information purposes only. It does not govern manufacturing or inspection requirements.

Hg Some luminaires use fluorescent or high intensity discharge (HID) lamps that contain small amounts of mercury. Such lamps are labeled "Contains Mercury" and/or with the symbol "Hg." Lamps that contain mercury must be disposed of in accordance with local requirements. Information regarding lamp recycling and disposal can be found at www.lamprecycle.org

Bronzelite®
 100 Craftway • Littlestown, PA 17340
 800 273-1569 • Fax 717 359-9545 www.bronzelite.com