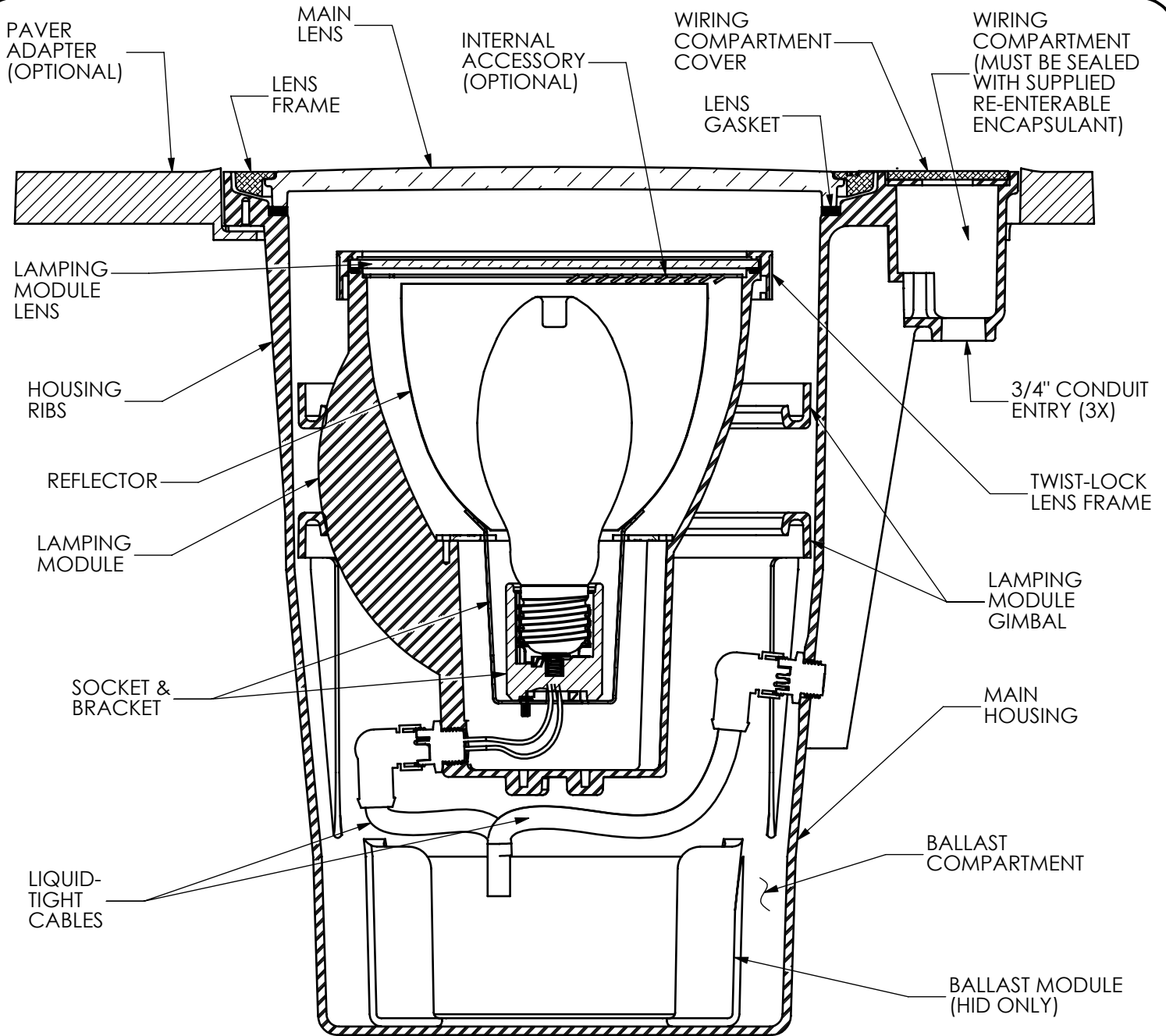


PHILIPS

100 Craftway Dr.
Littlestown, Pennsylvania 17340-0128
Phone: 717-359-7131

INSTALLATION INSTRUCTIONS: DB5000 - LARGE INGROUND UPLIGHT



NOTE : FIXTURE STYLE, ACCESSORIES, OPTICS AND BALLAST TYPE WILL VARY WITH FIXTURE OPTIONS.



This fixture is intended for installation in accordance with the National Electrical Code and local code specifications. Failure to adhere to these codes and instructions may result in serious injury and/or damage to the ballast and void the warranty. These instructions do not purport to cover all details or variations in equipment, nor to provide for every possible contingency related to installation, operation, maintenance, or mounting situation. Should specific problems occur that are not addressed by these instructions, contact your Sales Representative or distributor for assistance. Retain these instructions for future reference.



SAFETY WARNING:

ALWAYS TURN FIXTURE OFF/DISCONNECT POWER AND ALLOW TO COOL BEFORE PERFORMING ANY MAINTENANCE, INCLUDING RELAMPING AND CLEANING!

This fixture can become very HOT! The fixture housing and lens, especially if it is glass, can become hot enough to blister hands. Attention should be paid to where the fixture is mounted, particularly if it can be touched by children or pets. To help prevent premature failure, decreased performance, overheating and risk of fire, keep fixture and lens clean and free of leaves, mulch, debris and mineral deposits from water. The fixture and lens can be cleaned using a soft cloth and a solution of mild liquid soap and warm water. Wipe clean and dry with a soft, lint-free dry cloth. Avoid polishing fixture or lens.



INSTRUCTIONS PERTAINING TO A RISK OF FIRE OR INJURY TO PERSONS IMPORTANT SAFETY INSTRUCTIONS - SAVE THESE INSTRUCTIONS!

WARNING - Lamp gets HOT quickly! To reduce the risk of FIRE OR INJURY TO PERSONS:

- Do not operate fixture with a missing or damaged lens/lens assembly.
- Contact only switch or plug when turning fixture on or off. Do NOT touch hot lens or housing.
- Turn off or unplug fixture and allow to cool before relamping. Keep lamp away from combustibles.
- Do NOT touch lamp with bare hands at any time, use a soft cloth as oil from skin may damage lamp.



CAUTION:

1. WARNING: TURN POWER OFF BEFORE INSTALLING OR PERFORMING ANY MAINTENANCE ON THIS FIXTURE. Failure to do so may result in severe injury or death.
2. The housing should not be installed in insulating materials such as bark, vermiculite, etc. for the full depth of the housing. Surface use of these materials around BUT NOT ON TOP of the fixture is acceptable.
3. IMPORTANT: To prevent overheating, regularly check lens and keep it clean and free of debris such as dirt, sand, leaves, mulch, etc. **Failure to do so will void warranty and could cause a fire.**
4. Conduit entry ways should be properly sealed around threads and duct seal should be used in the conduit around the wires to prevent water entry through the conduit. Unused conduit entry ways should be properly plugged and sealed. **Failure to do so will void warranty.**
5. The fixture should not be installed in low lying areas or where water may accumulate and stand for long periods of time.
6. Soil should be mounded up around the fixture to promote drainage.
7. **Do not install fixture within 10 feet (3 meters) of a pool, spa or fountain.**

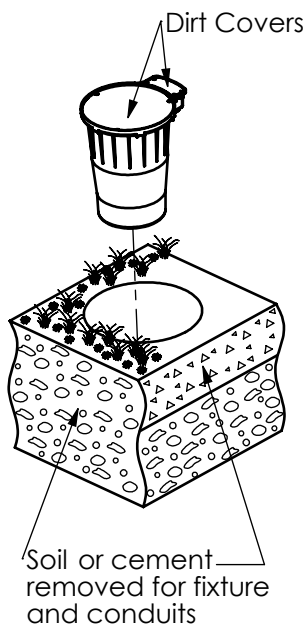
INSTALLATION



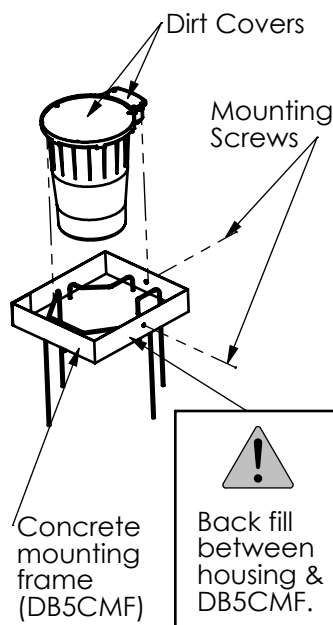
IF A MOUNTING ACCESSORY IS USED, IT MUST BE ATTACHED TO THE HOUSING BEFORE CONTINUING! KEEP DIRT COVERS IN PLACE ACCORDING TO DIRECTIONS.

Step 1: Excavate soil for fixture, or fixture with mounting accessory, as well as conduits.

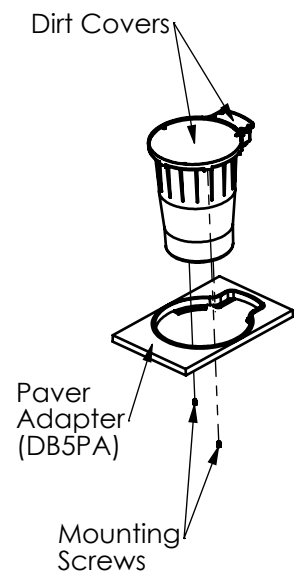
NO ACCESSORY



DB5CMF



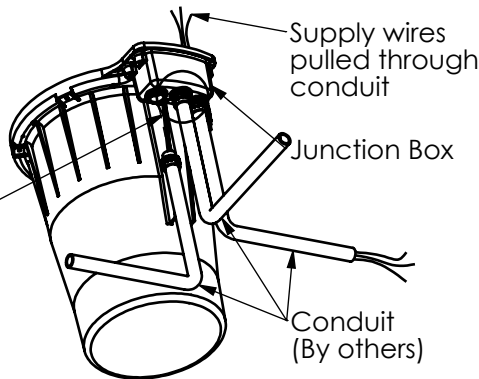
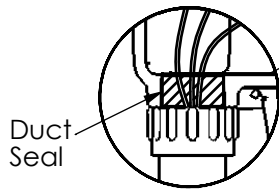
DB5PA



Step 2: Connect conduit using thread sealant.



Unused conduit entry ways should be properly plugged and sealed.



Step 3: Set aside junction box dirt cover (retain for future use). Pull wires through conduit into junction box. The contractor must pull a ground wire or make a ground connection to a metal conduit system. Place duct seal in the conduits around the wires.



Failure to properly seal conduit may allow water into junction box and will void the warranty.

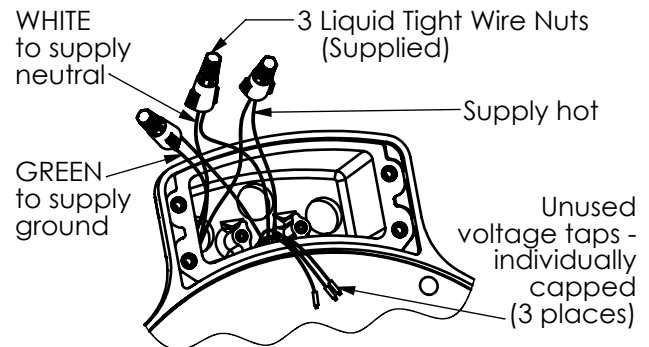
Step 4: Backfill around housing and mounting accessory (if used) with dirt, cement or decorative stone as required for finishing the particular installation. **DO NOT** back fill with bark or vermiculite.

Step 5: Connect supply leads to the fixture wiring (see below) using the supplied liquid tight wire nuts. Be sure colored fixture supply wire, per table below, matches supply voltage. Replace junction box dirt cover.



WARNING: 3 UNUSED VOLTAGE WIRES MUST BE INDIVIDUALLY CAPPED OFF USING LIQUID TIGHT WIRE NUTS (BY OTHERS). FAILURE TO DO SO WILL VOID WARRANTY, DAMAGE FIXTURE, AND COULD RESULT IN INJURY.

COLOR	VOLTAGE				
	Quad-tap	Tri-tap	50Hz	120/277V	127/220V
WHITE	NEUTRAL	NEUTRAL	NEUTRAL	NEUTRAL	NEUTRAL
BLACK	120V	120V	120V	120V	127V
ORANGE	208V	None	220V	None	220V
RED	240V	347V	240V	None	None
BLUE	277V	277V	None	277V	None
GREEN	GROUND	GROUND	GROUND	GROUND	GROUND



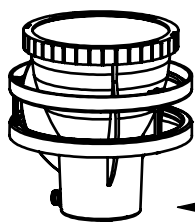
ENSURE GASKET SEATING SURFACES ARE CLEAN AND FREE OF DEBRIS BEFORE SEALING.



Take care not to pinch any wires.



If debris in screw holes prevents proper gasket seating, holes must be blown clear or cleared with a 1/4-20 tap.



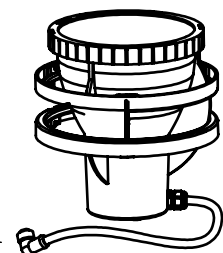
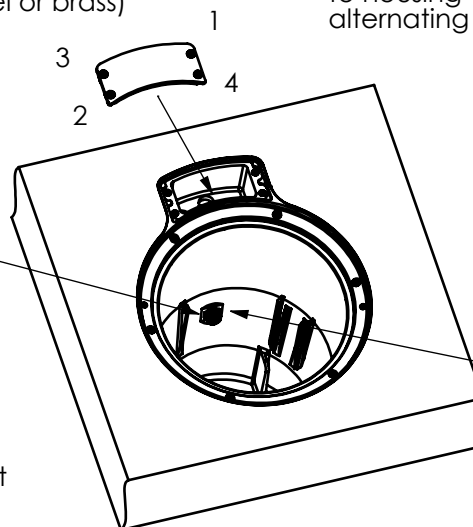
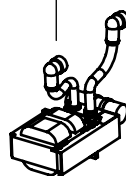
Wiring Compartment Cover (Stainless steel or brass)

Step 6: Remove junction box dirt cover. Screw the wiring compartment cover to housing with 70 in-lb of torque in an alternating pattern as shown below.



Ensure ballast wattage matches lamp module

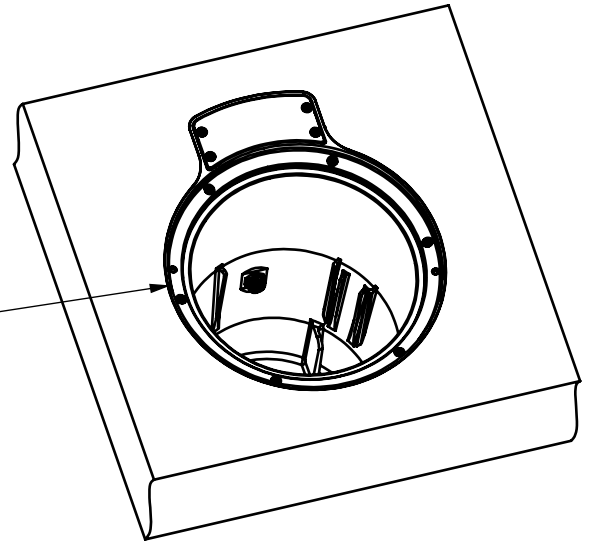
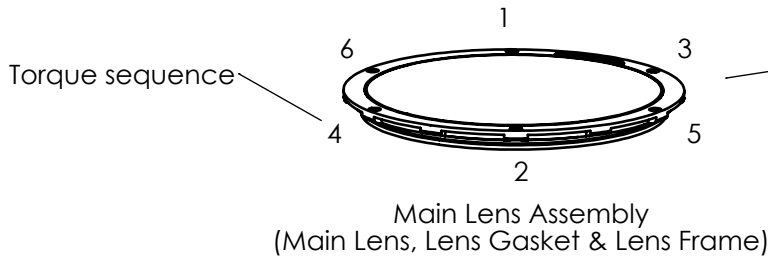
Ballast Module (Core & Coil HID Only)



Incandescent, Fluorescent & Electronic HID Lamping Module (INC/FL/eHID only)

Step 7: Remove round dirt cover. Attach ballast module (HID only) and lamping module using the cordsets. Aim lamping module in direction desired.

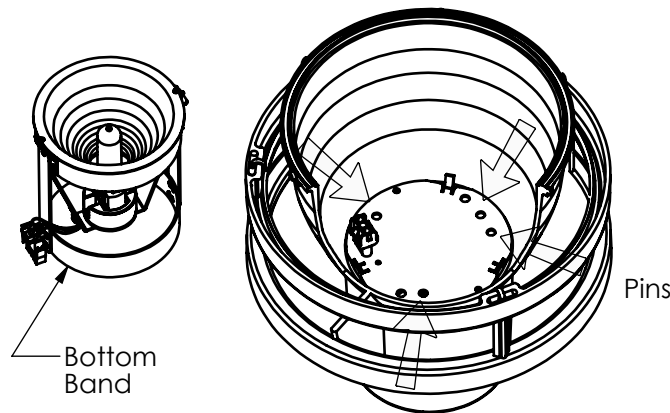
Step 8: NOTE: To help decrease moisture, energize fixture for 20 minutes prior to attaching main lens. Place main lens assembly on the housing. (Do not remove protective tape on edge of lens). Screw lens frame to housing with 70 in-lb of torque in an alternating star pattern as shown. **DO NOT** torque in a radial pattern (1 to 3 to 5 etc).



RELAMPING All fixtures ship pre-lamped unless otherwise specified. Fixtures may be relamped in the field or in a controlled indoor environment. It may be desirable to keep spare lamping modules to field swap. **MAKE SURE POWER IS OFF BEFORE RELAMPING.** Remove lens frame, main lens and lens gasket. Inspect gasket for damage and replace, if necessary.

Relamping indoors: Remove lamping module from main housing and disconnect cordset. Replace lamping module with a pre-lamped one. Re-seal fixture per Step 8 above - ensure gasket seating surfaces are clean and free of debris. Take lamping module to work area and relamp per below. Keep this pre-lamped module for future use.

Relamping in the field: Twist the lens frame on the lamping module and lift up to remove. Remove lamp module lens and any internal accessory. Replace lamp with a new one of identical electrical characteristics. [NOTE: For metal halide T6 (G12 base) lamps, Bronzelite recommends using only Philips MasterColor™ lamps or GE ConstantColor CMH™ lamps. If using a lamp from another manufacturer, ensure it is electrically compatible with supplied ballast.] For T6 optics, if it is necessary to remove the optics assembly, position the bottom band of the optics assembly around the four pins indicated in the "T6 Optics - Seating Illustration" below and simply press-fit into place.



T6 Optics - Seating Illustration

Replace internal accessory (if applicable) and lamp module lens, re-seat lamp module lens frame and twist to secure. Re-seal the fixture per Step 8 above - ensure gasket seating surfaces are clean and free of debris.

