

DB5000 Incandescent



IP66/68 Rating

Flag Pole - Tree Lighting - Building - Column

Strength, durability and performance are the hallmarks of all DB5000 specification-grade inground fixtures. Regardless of optics selected, excellent lighting performance can be achieved with various setback and spacings due to the unique versatility of the DB5000's TOUCH-AIM® optical package. It includes a high-temperature composite lamping module with clear borosilicate or molded spread lens with CAM-LATCH™ closure system - simply twist to secure, no tools required!

The combination of a potted factory sealed ballast with waterproof cordset and receptacle, one part re-enterable encapsulant and liquid tight wire nuts, provides for an installation-friendly, low maintenance luminaire with a more robust seal between the conduit entry points and the main housing. The waterproof outer housing with integral grade-level junction box is made of fiberglass reinforced polyester with heavy, molded soda lime glass lens and natural metal lens ring. Drive-over lens enables the DB5000 to withstand a 3000 pound live load. Dual lens system results in lower external temperatures.

Specifications

Housing:

Compression molded, fiberglass reinforced polyester composite. Integral grade-level junction box with three 3/4" conduit entries on the bottom, potted factory seal with waterproof receptacle between junction box and housing. Provided with one part re-enterable compound to seal junction box and silicone filled wire nuts for liquid tight field wiring connections.

External Lens:

Heat-treated borosilicate glass for high impact resistance. Flat lens incorporates a slight crown to assist in water runoff. Slip resistant lens has concentric rings blasted into the surface for added traction without harming the mechanical integrity of the lens. Secured with lens ring and tamper-resistant stainless steel features.

External Lens Gasket:

High temperature silicone for durable seal in extreme conditions.

Junction Box Cover:

Incorporates wiring pigtail ground connection. Available in matte finish brass or stainless steel to match lens ring.

Lamp Module:

High temperature composite (200°C) for maximum strength and durability. Waterproof receptacle for connecting to housing receptacle. Optical system is protected by open cell silicone gasket and high temperature internal lens that keeps optics clean during installation. Tool-less CAM-LATCH™ closure for easy access relamping. Patented TOUCH-AIM® gimbal rings enable aiming 15° from vertical with 360° rotation. Optional LOC-AIM® locks aiming in place.

Optical System:

Reflectorized lamps (PAR, R). Sockets are pulse-rated high temperature porcelain. Lamp is included.

Caution: Landscape lighting fixtures can sometimes produce extreme heat on the lens. Care should be taken when installing in walkway areas as lens temperatures from certain lamps could injure bare feet. Consult Bronzelite catalog for exact lens temperatures.

DB5LA:

LOC-AIM® device "locks in" the field aiming of the lamping module. DB5LA standard and included.

Warranty:

Three year limited warranty.

Certification:

ETL/cETL Listed to U.S. and Canadian safety standards for wet locations (outdoors). ADA compliant when using in concrete and flush mounted with DB5CPS, DB5CMF or DB5PA.

The DB5000 accessories must be ordered separately and field installed. They include:

- DB5PA:** Paver adapter. Must be installed with housing.
- DB5CMF:** Galvanized concrete mounting frame. Must be installed with housing.
- DB5LFN:** Lens frame bronze, no acc.
- DB5LFA:** Lens frame bronze, accessory.
- DB5IDL:** Internal directional louver.
- DB5HCL:** Internal honeycomb louver.
- DB5SL:** Standard large lens.
- DB5CL:** Convex large lens.
- DB5DO:** Drive-over lens.
- DB5SRL:** Slip resistant large lens.
- DB5SR:** Lens frame, matte stainless steel.
- DB5RGC:** Rockguard, composite.
- DB5RGA:** Rockguard, aluminum (painted dark bronze).



DB5PA



DB5CMF

DB5000 Incandescent

Project:

Fixture Type:

C=PAR F (PAR38/R40, PAR 56) Flood
 D=PAR WF (PAR38/R40, PAR 56) Wide Flood
 E=PAR S (PAR38/R40, PAR 56) Spot

W=Standard
 C=Convex*
 D=Driveover*
 S=Slip Resistant
 *Not Suitable for use with rock guard

AG= Aluminum Rockguard
 BG= Bronze Rockguard
 CG= Composite Rockguard
 AS= Aluminum Directional Shield
 BS= Bronze Directional Shield
 SR= Lens Ring, Matte Stainless Steel
 N = None (standard Lens Ring)

I=Incandescent 120

D=Medium
 P=Mogul End Prong

C=Clear (standard)
 S=Spread

I=Internal Directional
 H=Internal Honeycomb
 N=None

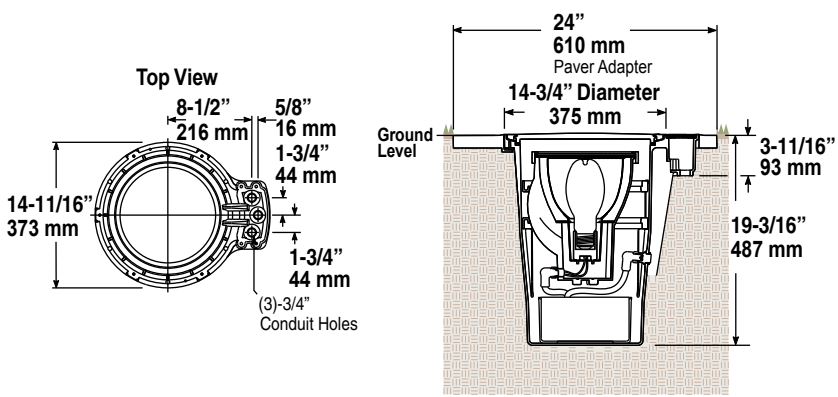
Ordering Logic

Wattage/Lamp	Model No.	Voltage	Socket	Reflector	Inside Lens	External Lens	Internal Accessory	External Accessory
150W Incandescent	DB5150I	(1)	(D)	(C,E)	()	()	()	()
250W Incandescent	DB5250I	(1)	(D)	(C,E)	()	()	()	()
300W Incandescent	DB5300I	(1)	(P)	(C,D,E)	()	()	()	()
300W Incandescent	DB5300I	(1)	(D)	(C)	()	()	()	()
Housing Only	DB5HO	-	-	-	-	-	-	-

Note: Lamp is included with fixture.
 DB5LA is included with fixture.

Model No:	Voltage:	Socket:	Reflector:	Inside Lens:	External Lens:	Internal Accessory:	External Accessory:
-----------	----------	---------	------------	--------------	----------------	---------------------	---------------------

Dimensions



Project Notes:

Approval:

Any dimension on this sheet is to be assumed a reference dimension and used for information purposes only. It does not govern manufacturing or inspection requirements.

Bronzelite

100 Craftway Drive • Littlestown, PA 17340
 800 273-1569 • Fax 717 359-9545 www.bronzelite.com

Some luminaires use fluorescent or high intensity discharge (HID) lamps that contain small amounts of mercury. Such lamps are labeled "Contains Mercury" and/or with the symbol "Hg." Lamps that contain mercury must be disposed of in accordance with local requirements. Information regarding lamp recycling and disposal can be found at www.lamprecycle.org