

DB5000 HID Inground



IP66/68 Rating

Flag Pole - Tree Lighting - Building - Column

Strength, durability and performance are the hallmarks of all DB5000 specification-grade inground fixtures. Regardless of optics selected, excellent lighting performance can be achieved with various setback and spacings due to the unique versatility of the DB5000's TOUCH-AIM® optical package. It includes a high-temperature composite lamping module with clear borosilicate or molded spread lens with CAM-LATCH™ closure system - simply twist to secure, no tools required!

The combination of a potted factory sealed ballast with waterproof cordset and receptacle, one part re-enterable encapsulant and liquid tight wire nuts, provides for an installation-friendly, low maintenance luminaire with a more robust seal between the conduit entry points and the main housing. The waterproof outer housing with integral grade-level junction box is made of fiberglass reinforced polyester with heavy, molded soda lime glass lens and natural metal lens ring. Drive-over lens enables the DB5000 to withstand a 3000 pound live load. Dual lens system results in lower external temperatures.

Specifications

Housing:

Compression molded, fiberglass reinforced polyester composite. Integral grade-level junction box with three 3/4" conduit entries on the bottom, potted factory seal with waterproof receptacle between junction box and housing. Provided with one part re-enterable compound to seal junction box and silicone filled wire nuts for liquid tight field wiring connections.

External Lens:

Heat-treated borosilicate glass for high impact resistance. Flat lens incorporates a slight crown to assist in water runoff. Slip resistant lens has concentric rings blasted into the surface for added traction without harming the mechanical integrity of the lens. Secured with lens ring and tamper-resistant stainless steel features.

External Lens Gasket:

High temperature silicone for durable seal in extreme conditions.

Junction Box Cover:

Incorporates wiring pigtail ground connection. Available in matte finish brass or stainless steel to match lens ring.

Lamp Module:

High temperature composite (200°C) for maximum strength and durability. Waterproof receptacle for connecting Ballast Module. Optical system is protected by open cell silicone gasket and high temperature internal lens that keeps optics clean during installation. Tool-less CAM-LATCH™ closure for easy access relamping. Patented TOUCH-AIM® gimbal rings enable aiming 15° from vertical with 360° rotation. Optional LOC-AIM® locks aiming in place.

Caution: Landscape lighting fixtures can sometimes produce extreme heat on the lens. Care should be taken when installing in walkway areas as lens temperatures from certain lamps could injure bare feet. Consult Bronzelite catalog for exact lens temperatures.

Optical System:

Specular aluminum spot reflector (15°), brushed aluminum flood reflector (70°), hammertone aluminum horizontal reflector (78°-100°), reflectorized lamps (PAR, R). Sockets are pulse-rated high temperature porcelain. Lamp is included.

Ballast Module:

Multi-Tap and waterproof. High temperature waterproof cordset and connectors provided with strain relief to ensure that ballast will retain waterproof integrity when lifted by cord. All capacitors rated for minimum 100°C for longer life.

DB5LA:

LOC-AIM® device "locks in" the field aiming of the lamping module. DB5LA standard and included.

Warranty:

Three year limited warranty.

Accessories

Certification:

UL/cUL Listed to U.S. and Canadian safety standards for wet locations (outdoors). ADA compliant when using in concrete and flush mounted with DB5CPS, DB5CMF or DB5PA.

The DB5000 accessories must be ordered separately and field installed. They include:

DB5PA - Paver adapter. Must be installed with housing.

DB5CMF - Galvanized concrete mounting frame. Must be installed with housing.

DB5CPS - Decorative matte finish stainless steel concrete pour kit. Must be installed with housing.

DB5ISS - Internal source shield protects against direct viewing of light source.

DB5000 HID

Project:

Fixture Type:

V=Variable Spot to Flood (E17, T6 Bi-pin)
 S=Spot (E17, E18, E23-1/2, T6, T15)
 F=Flood (E17, E18, E28, E23-1/2, PLT)
 H=Horizontal (E17, PLT)
 A=Horizontal Asymmetrical (T6 Bi-pin)
 B=Horizontal Bismmetrical (T6 Bi-pin)
 C=PAR F (PAR38/R40, PAR 56) Flood
 D=PAR WF (PAR38/R40, PAR 56) Wide Flood
 E=PAR S (PAR38/R40, PAR 56) Spot

W=Walkover (standard)
 C=Convex*
 D=Driveover*
 S=Slip Resistant
 *Not Suitable for use with rock guard

AG= Aluminum Rockguard
 BG= Bronze Rockguard
 CG= Composite Rockguard
 AS= Aluminum Directional Shield
 BS= Bronze Directional Shield
 SR= Lens Ring, Matte Stainless Steel
 N = None (standard Lens Ring)

Q=Quad Volt (120, 208, 240, 277, 60Hz)
 5=50Hz Tri Volt (120, 220, 240, 50Hz)
 6=60Hz 220V

B=Bi-Pin (G12)
 D=Medium
 G=Mogul

C=Clear (standard)
 S=Spread

I=Internal Directional
 H=Internal Honeycomb
 N=None

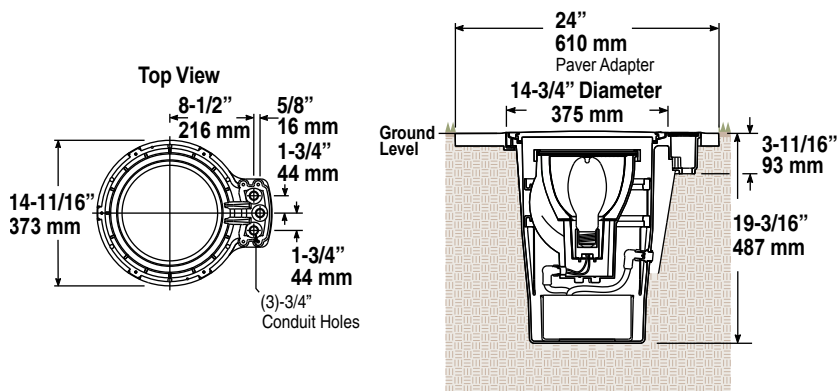
Ordering Logic

| Wattage/Lamp | Model No. | Voltage | Socket | Reflector | Inside Lens | External Lens | Internal Accessory | External Accessory |
|-------------------|-----------|---------|--------|---------------|-------------|---------------|--------------------|--------------------|
| 35W Metal Halide | DB5035H | (Q) | (D) | (C,E) | () | () | () | () |
| 35W Metal Halide | DB5035H | (Q) | (B) | (S,A,B) | () | () | () | () |
| 50W Metal Halide | DB5050H | (Q) | (D) | (S,F,H) | () | () | () | () |
| 70W Metal Halide | DB5070H | () | (D) | (S,F,H,C,E) | () | () | () | () |
| 70W Metal Halide | DB5070H | () | (B) | (S,A,B) | () | () | () | () |
| 100W Metal Halide | DB5100H | () | (D) | (S,F,H,C,D,E) | () | () | () | () |
| 150W Metal Halide | DB5150H | () | (D) | (S,F,H) | () | () | () | () |
| 150W Metal Halide | DB5150H | () | (B) | (S,A,B) | () | () | () | () |
| 250W Metal Halide | DB5250H | () | (G) | (F) | () | () | () | () |
| 70W HPS | DB5070S | () | (D) | (S,F,H) | () | () | () | () |
| 100W HPS | DB5100S | () | (D) | (S,F,H) | () | () | () | () |
| 150W HPS | DB5150S | () | (D) | (S,F,H) | () | () | () | () |
| 250W HPS | DB5250S | () | (D) | (S,F) | () | () | () | () |
| Housing Only | DB5HO | - | - | - | - | - | - | - |

Note: Lamp is included with fixture.
 DB5LA is included with fixture.

| | | | | | | | |
|-----------|----------|---------|------------|--------------|----------------|---------------------|---------------------|
| Model No: | Voltage: | Socket: | Reflector: | Inside Lens: | External Lens: | Internal Accessory: | External Accessory: |
|-----------|----------|---------|------------|--------------|----------------|---------------------|---------------------|

Dimensions



Project Notes:

Approval:

Any dimension on this sheet is to be assumed a reference dimension and used for information purposes only. It does not govern manufacturing or inspection requirements.

Bronzelite®
 100 Craftway • Littlestown, PA 17340
 800 273-1569 • Fax 717 359-9545 www.bronzelite.com

Hg Some luminaires use fluorescent or high intensity discharge (HID) lamps that contain small amounts of mercury. Such lamps are labeled "Contains Mercury" and/or with the symbol "Hg." Lamps that contain mercury must be disposed of in accordance with local requirements. Information regarding lamp recycling and disposal can be found at www.lamprecycle.org