

## DB5000 Fluorescent



**IP66/68 Rating**

### Flag Pole - Tree Lighting - Building - Column

Strength, durability and performance are the hallmarks of all DB5000 specification-grade inground fixtures. Regardless of optics selected, excellent lighting performance can be achieved with various setback and spacings due to the unique versatility of the DB5000's TOUCH-AIM® optical package. It includes a high-temperature composite lamping module with clear borosilicate or molded spread lens with CAM-LATCH™ closure system - simply twist to secure, no tools required!

The combination of a potted factory sealed ballast with waterproof cordset and receptacle, one part re-enterable encapsulant and liquid tight wire nuts, provides for an installation-friendly, low maintenance luminaire with a more robust seal between the conduit entry points and the main housing. The waterproof outer housing with integral grade-level junction box is made of fiberglass reinforced polyester with heavy, molded soda lime glass lens and natural metal lens ring. Drive-over lens enables the DB5000 to withstand a 3000 pound live load. Dual lens system results in lower external temperatures.

### Specifications

#### Housing:

Compression molded, fiberglass reinforced polyester composite. Integral grade-level junction box with three 3/4" conduit entries on the bottom, potted factory seal with waterproof receptacle between junction box and housing. Provided with one part re-enterable compound to seal junction box and silicone filled wire nuts for liquid tight field wiring connections.

#### External Lens:

Heat-treated borosilicate glass for high impact resistance. Flat lens incorporates a slight crown to assist in water runoff. Slip resistant lens has concentric rings blasted into the surface for added traction without harming the mechanical integrity of the lens. Secured with lens ring and tamper-resistant stainless steel features.

#### External Lens Gasket:

High temperature silicone for durable seal in extreme conditions.

#### Junction Box Cover:

Incorporates wiring pigtail ground connection. Available in matte finish brass or stainless steel to match lens ring.

#### Lamp Module:

High temperature composite (200°C) for maximum strength and durability. Waterproof receptacle for connecting to housing receptacle. Optical system is protected by open cell silicone gasket and high temperature internal lens that keeps optics clean during installation. Tool-less CAM-LATCH™ closure for easy access relamping. Patented TOUCH-AIM® gimbal rings enable aiming 15° from vertical with 360° rotation. Optional LOC-AIM® locks aiming in place.

#### Optical System:

Brushed aluminum flood reflector (70°), hammertone aluminum horizontal reflector (78°-100°). Sockets are high temperature plastic. Lamp is included.

#### DB5LA:

LOC-AIM® device "locks in" the field aiming of the lamping module. DB5LA standard and included.

#### Warranty:

Three year limited warranty.

#### Certification:

UL/cUL Listed to U.S. and Canadian safety standards for wet locations (outdoors). ADA compliant when using in concrete and flush mounted with DB5CPS, DB5CMF or DB5PA.

**The DB5000 accessories must be ordered separately and field installed. They include:**

**DB5PA** - Paver adapter. Must be installed with housing.

**DB5CMF** - Galvanized concrete mounting frame. Must be installed with housing.

**DB5CPS** - Decorative matte finish stainless steel concrete pour kit. Must be installed with housing.

**DB5ISS** - Internal source shield protects against direct viewing of light source.

#### Accessories

**Caution:** Landscape lighting fixtures can sometimes produce extreme heat on the lens. Care should be taken when installing in walkway areas as lens temperatures from certain lamps could injure bare feet. Consult Bronzelite catalog for exact lens temperatures.

# DB5000 Fluorescent

Project:

Fixture Type:

F=Flood (E17, E18, E28, E23-1/2, PLT)  
H=Horizontal (E17, PLT)

W=Walkover (standard)  
C=Convex\*  
D=Driveover\*  
S=Slip Resistant  
\*Not Suitable for use with rock guard

AG= Aluminum Rockguard  
BG= Bronze Rockguard  
CG= Composite Rockguard  
AS= Aluminum Directional Shield  
BS= Bronze Directional Shield  
SR= Lens Ring, Matte Stainless Steel  
N = None (standard Lens Ring)

F=Fluorescent 120, 277 only

F=Fluorescent

C=Clear (standard)  
S=Spread

I=Internal Directional  
H=Internal Honeycomb  
N=None

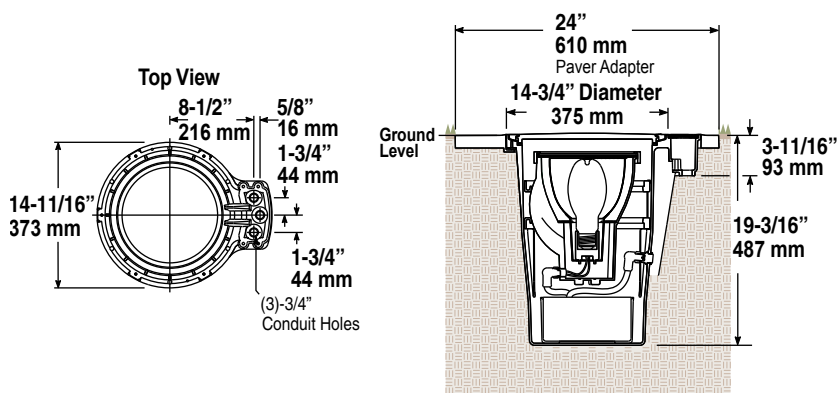
Ordering Logic								
Wattage/Lamp	Model No.	Voltage	Socket	Reflector	Inside Lens	External Lens	Internal Accessory	External Accessory
26W Fluorescent	DB5026F	(F)	(F) G 24Q3 Base	(F,H)	( )	( )	( )	( )
32W Fluorescent	DB5032F	(F)	(F) G 24Q3 Base	(F,H)	( )	( )	( )	( )
42W Fluorescent	DB5042F	(F)	(F) G 24Q4 Base	(F,H)	( )	( )	( )	( )
Housing Only	DB5HO	-	-	-	-	-	-	-

Fluorescent - triple tube lamps only. 0°F starting temperature.  
26w, 32w and 42w lamps are interchangeable with the same ballast.

**Note:** Lamp is included with fixture.  
DB5LA is included with fixture.

Model No:	Voltage:	Socket:	Reflector:	Inside Lens:	External Lens:	Internal Accessory:	External Accessory:
-----------	----------	---------	------------	--------------	----------------	---------------------	---------------------

## Dimensions



Project Notes:

Approval:

Any dimension on this sheet is to be assumed a reference dimension and used for information purposes only. It does not govern manufacturing or inspection requirements.

**Bronzelite**<sup>®</sup>  
100 Craftway • Littlestown, PA 17340  
800 273-1569 • Fax 717 359-9545 [www.bronzelite.com](http://www.bronzelite.com)

**Hg** Some luminaires use fluorescent or high intensity discharge (HID) lamps that contain small amounts of mercury. Such lamps are labeled "Contains Mercury" and/or with the symbol "Hg." Lamps that contain mercury must be disposed of in accordance with local requirements. Information regarding lamp recycling and disposal can be found at [www.lamprecycle.org](http://www.lamprecycle.org)