

DB3000 Variable Height Inground



Flag Pole - Tree Lighting - Building - Column

The DB3000 Series variable height in-ground fixture is a rugged and effective lighting instrument for use in a wide variety of outdoor lighting applications. A tough polyester composite sealed in-ground fixture with molded soda-lime lens and high-temperature silicone gasket gives positive protection to optical and electrical components. This fixture is contained within a rugged PVC sleeve that can be installed from flush to 20" above finished grade, making it a must in planting areas.

Optional finishes on the well sleeve make the DB3000 a pleasing architectural accent as well as a durable precision lighting instrument.

Specifications

Housing:

Single-piece compression molded, fiberglass reinforced polyester composite. Integral junction box has two 3/4" conduit entries.

External Walkover Lens:

Standard 1/4" thick, clear, high impact tempered glass. Slip resistant lens is also available.

Internal Lens & Gasket:

Convex lens is clear, high-impact tempered glass furnished with a high-temperature silicone gasket for a positive, watertight seal.

Well Sleeve:

Gray PVC pipe 12 3/4" OD x 19 1/2", flush mount. The wall thickness is 3/16". Optional 10" above grade, or 20" above grade. Optional exterior finishes include Limestone, Sandstone or Verde.

Safety Grill:

Optional cast bronze, concentric-ring grill for safety and glare control. It is secured to well sleeve with four black oxide stainless steel set screws.

Reflectors:

Specular aluminum spun reflector available for E17 lamping in spot (15°) beam pattern or flood (70°) beam pattern. Fluorescent available in flood only. Aiming: 15° angle on either side of vertical and rotatable 360° within housing.

Wiring:

Fixture is pre-wired with 16-3 STO-WA cord, grounded and sealed internally. Cord length is sufficient to allow fixture to be removed from well for cleaning and relamping.

Wiring Compartment:

A separate cast bronze wiring compartment with two 3/4" conduit entries is provided for field connections. After connection of field wiring, the wiring compartment must be potted to prevent moisture entry from conduit systems. Re-enterable potting compound is provided to seal junction box.

Ballast Module:

Standard quad volt core and coil, high power factor, epoxy dipped for moisture resistance with quick connect harness. Compact fluorescent ballasts are electronic.

Warranty:

Three year limited warranty.

Certification:

ETL Listed to U.S. and Canadian safety standards for wet locations.

Accessories:

DB3RGB: Cast Bronze Rock Guard

DB3RGSL: Cast Bronze Rock Guard with standard lens

DB3RGSRL: Cast Bronze Rock Guard w/slip resistant large lens

DB3SL: Clear External Lens (standard)

DB3SRL: Slip-Resistant External Lens

IHL30: Snap-On Honeycomb Louver for PAR30 lamps

DB3IDL: Internal Direction Lens

DB3ICL: Internal Clear (double) lamp housing lens (70W max E17 lamp)



IHL30



DB3SRL



DB3SL



DB3RGB/DB3RGSL/DB3RGSRL

DB3000 Variable Height Inground

Project:

Fixture Type:

120=120
208=208
240=240
277=277
220=220 60 HZ
5120=120 50 HZ
5220=220 50 HZ
5240=240 50 HZ

S=Spot
F=Flood
N=PAR/R Lamp

D=Medium
F=Fluorescent

S=Sandstone
L=Limestone
V=Verde
N=None

SL=Clear Lens (Standard)
SR=Slip Resistant Lens
RG=Rock Guard only
RL=Rock Guard w/Clear Lens
RR=Rock Guard w/Slip Resistant Lens
N=None

*R=Round Flush
*S=Square Flush
1=10" Above Ground
2=20" Above Ground

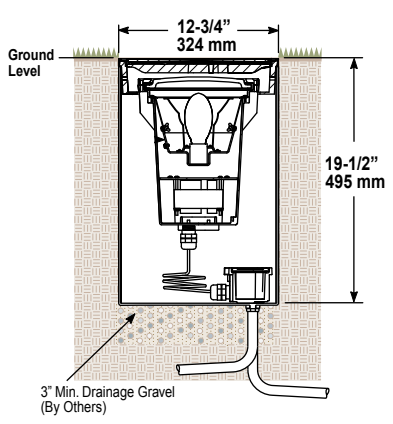
Ordering Logic

Wattage/Lamp	Model No.	Voltage	Socket	Reflector	Finish	Mounting	External Lens
35W MH PAR20	DB3035H	(120,208,240,277)	(D)	(N)	()	()	()
50W MH E17	DB3050H	(120,208,240,277)	(D)	(S,F)	()	()	()
70W MH E17, PAR30	DB3070H	()	(D)	()	()	()	()
100W MH E17, PAR38	DB3100H	()	(D)	()	()	()	()
35W HPS E17	DB3035S	(120,277)	(D)	(S,F)	()	()	()
50W HPS E17	DB3050S	(NO 5120)	(D)	(S,F)	()	()	()
70W HPS E17	DB3070S	()	(D)	(S,F)	()	()	()
100W HPS E17	DB3100S	()	(D)	(S,F)	()	()	()
26W Fluorescent PLT GX24Q-3	DB3026F	()	(F)	(F)	()	()	()
32W Fluorescent PLT GX24Q-3	DB3032F	()	(F)	(F)	()	()	()
42W Fluorescent PLT GX24Q-4	DB3042F	()	(F)	(F)	()	()	()
100W Incandescent PAR38	DB3100I	(120)	(D)	(N)	()	()	()

**R" & "S" mounting used only with "N" finish
NOTE: Lamp not included. Consult factory for housing only.

Model No:	Voltage:	Socket:	Reflector:	Finish:	Mounting:	External Lens:
-----------	----------	---------	------------	---------	-----------	----------------

Dimensions



Project Notes:

Approval:

Any dimension on this sheet is to be assumed a reference dimension and used for information purposes only. It does not govern manufacturing or inspection requirements.

Bronzelite
100 Craftway Drive • Littlestown, PA 17340
800 273-1569 • Fax 717 359-9545 www.bronzelite.com

Hg Some luminaires use fluorescent or high intensity discharge (HID) lamps that contain small amounts of mercury. Such lamps are labeled "Contains Mercury" and/or with the symbol "Hg." Lamps that contain mercury must be disposed of in accordance with local requirements. Information regarding lamp recycling and disposal can be found at www.lamprecycle.org