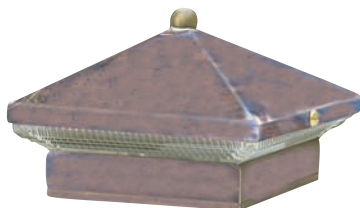


FIXTURE TYPE: _____

PROJECT NAME: _____

BRONZELITE PMW10 COPPER DECK LIGHT FIXTURE SPECIFICATION SHEET



Elegant, durable, timeless. The Bronzelite Copper Series is constructed of solid copper that patinas gracefully with age. Glass lenses (where applicable), high-temperature sockets, and a ten year limited warranty are your assurances that these luminaires are Sure to endure®.

The Copper Series includes a bullet, a step light, numerous path lights with various roof and stake styles for design flexibility, a surface mount deck light, the PM Post Mount Series for both wooden and vinyl standard 4" x 4" posts, and surface mount line light series available in 6", 12", 18", and 24" lengths.

model PMW10

SPECIFICATIONS

HOUSING – Hand-formed solid copper, annealed for strength. Fixture attaches to surface through internally mounted stainless steel screws. Brass screws and finial.

FINISH – Natural copper with hand-applied oxide coating will age naturally to a fine patina.

LENS – Polycarbonate refractive lens.

REFLECTOR – Internal roof-mounted reflector is highly polished aluminum alzak. Field adjustable four-sided house-side shield allows light distribution from 1, 2, 3 or all 4 sides.

SOCKET – Bi-pin type (G4).

WIRING – Fixture is prewired with 6-ft. high temperature #18 wire. 12 volt system requires remote transformer, not included. Low voltage quick connector, catalog #BLVC3 included for easy hook-up to the low voltage supply cable, not included.

LAMP – 20 watt maximum T3 halogen. 10 watt halogen lamp is included with fixture. Lower wattage halogen lamps are acceptable.

WARRANTY – Ten year limited warranty.

CERTIFICATION – UL/cUL Listed to U.S. and Canadian safety standards for wet locations (outdoor).

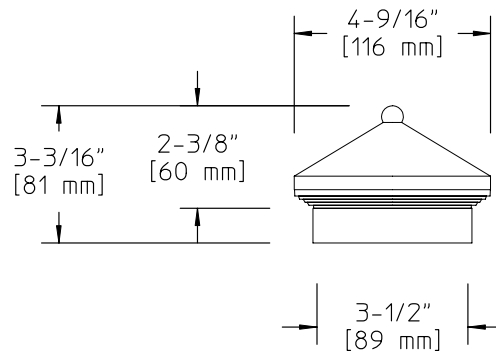
ACCESSORIES (Must Be Ordered Separately and Field Installed)

Note: Bronzelite reserves the right to modify the above details to reflect changes in the cost of materials &/or production &/or design without prior notice.
BRONZELITE - GENLYTE GROUP LLC • 100 Craftway • Littlestown, PA 17340 • Ph. (800) 273-1569 • Fax (717) 359-9545 • www.bronzelite.com

FIXTURE TYPE: _____

PROJECT NAME: _____

DIMENSIONS



ORDERING LOGIC - PMW10

Wattage/Lamp	Model No.
20W T-3 bi-pin 12V*	PMW1020LVCUB

**Requires remote transformer.
NOTE: 10W T-3 bi-pin lamp included.*

Model No.

PMW1020LVCUB

PROJECT NOTES

Bronzelite® Sure to endure®

APPROVAL

Note: Bronzelite reserves the right to modify the above details to reflect changes in the cost of materials &/or production &/or design without prior notice.
BRONZELITE - GENLYTE GROUP LLC • 100 Craftway • Littlestown, PA 17340 • Ph. (800) 273-1569 • Fax (717) 359-9545 • www.bronzelite.com