

Project:

P.O.:

EC34 3/4" Entry Conduit Stub



Bronzelite's EC34 entry conduit stub rounds out our fountain lighting solution package. Constructed of stainless steel for supreme durability, our conduit stubs are perfect for many fountain applications.

Pipe:

Stainless steel, 3/4" schedule 40.

Waterstop Flange:

Stainless steel plate, integral assembly.

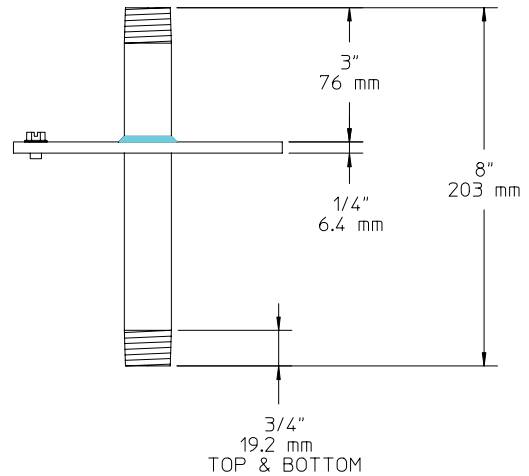
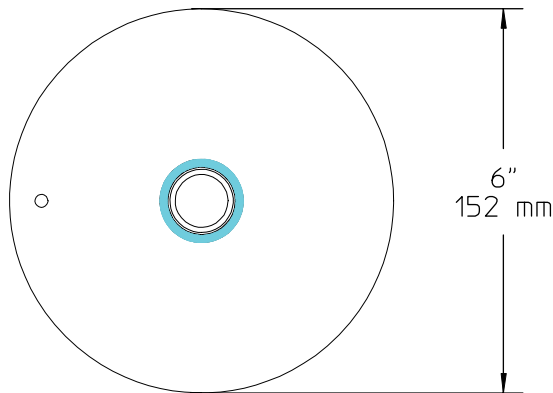
Bonding Screw:

Marine grade cast bronze. Junction box has a Stainless steel, provided with assembly.

Due to a program of continuous improvement, Bronzelite reserves the right to make any variation in design or construction to the equipment described.

Any dimension on this sheet is to be assumed a reference dimension and used for information purposes only. It does not govern manufacturing or inspection requirements.

Drawing Templates



Project Notes:

Approval: