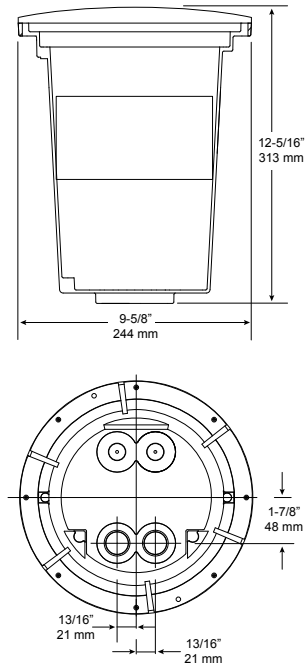


Project:

P.O.:

BTBC603-15 Transformer



Due to a program of continuous improvement, Bronzelite reserves the right to make any variation in design or construction to the equipment described.

Any dimension on this sheet is to be assumed a reference dimension and used for information purposes only. It does not govern manufacturing or inspection requirements.

Specifications

Housing:

Fasteners are 300 series stainless steel. Housing and cover are compression molded fiberglass reinforced polyester composite material. Gasketing is silicone. Two (2) 3/4" NPS threaded conduit inlets on bottom. Two (2) additional inlets may be field drilled and tapped.

Electrical Assembly:

Line voltage amperage draw: 600VA = 5.5 amps. Separate wiring compartment with two (2) 3/4" 120V inlets.

The transformer is thermally protected and is shielded between the 120V input and the low voltage output, for safety. 12, 13, 14, and 15 volt output taps for design flexibility and longer cable run capability. Magnetic circuit breaker for each 300W secondary circuit. Water-proof connectors for low voltage cable outlets

(one connector with TBC303-15). Potting compound (3M #4443) for line voltage wiring compartment.

Optional - 220, 240 or 277 volt, 50/60Hz input. Consult factory for details.

Warranty:

Ten Year limited warranty.

Certification:

UL Listed to U.S. safety standards for wet locations. cUL Listed to Canadian safety standards for wet locations. Manufactured to ISO 9001:2000 Standards.

Height:

12 5/16" (313 mm)

Width:

9 5/8" (244 mm)

Project Notes:

Approval: