

TL7012 LED Flood Light



Long Lasting - Three Optics - Warm & Cool White

The popular TL7000 is now available in LED with three optics, wide, medium and narrow. Each of these optics come in both warm and cool white color temperatures. The rugged, heavy-duty construction of the TL Series ensures long-lasting and low maintenance operation.

The TL7000 Series accent lights are rugged fixtures used to illuminate a wide variety of medium to large sized landscape and architectural elements. They are the largest member of the TL Series designed for sources up to 300 watt PAR38 and R40 incandescent and quartz lamps; up to 175W PAR38, R40 and E17 lamps; and 18/26/32 watt compact fluorescent. The TL Series also includes the TL5000 sized for MR16 and PAR/R20 lamps and the TL6000 sized for PAR/R30 and MR16 lamps.

Specifications

Housing:

Die cast aluminum (copper free) with stainless steel fasteners and fully adjustable swivel arm with vibration proof locking teeth. Optional shrouds are available, specify shield for glare control.

Lens:

Clear tempered glass, part of optional shrouds. Optional internal lenses are available. Multi-directional spread lens (IMSLR), Internal linear spread lens (ILSLR), internal ice blue lens (IBLR) and internal honeycomb louver (ICGR).

LEDs:

12 watt LED, 17 watts consumed, (total fixture consumption). 70 color rendering index (CRI) and approximately 50,000 hours of operation (at 25C ambient temperature and 70% lumen maintenance).

Wide (50°), Medium (30°) and Narrow (10°) optics are available in both warm (2750K) and cool (4800K) white.

Gaskets:

High temperature silicone.



LED Module

Wiring:

High temperature #18 AWG.

Finish:

Color thermoset polyester powdercoat. Standard finishes include dark bronze and black. Verde finish is hand-rubbed over a black thermoset polyester powdercoat.

Warranty:

Three year limited warranty.

Certification:

UL Listed to U.S. and Canadian safety standards for wet locations.

Internal Accessories:

(Must Be Ordered Separately and Field Installed)

LEDADP:

LED Accessory Adapter Ring.

IBLR:

Internal Ice Blue Lens.

IMSLR:

Internal Multi-directional Spread Lens.

ILSLR:

Internal Linear Spread Lens.

ICGR:

Internal Honeycomb Louver.

TL7012 LED Flood Light

Project: _____
 Fixture Type: _____

E=Extender¹
 S=Shield

C=Cool White
 W=Warm White

BLK=Black
 DB=Dark Bronze
 VRD=Verde

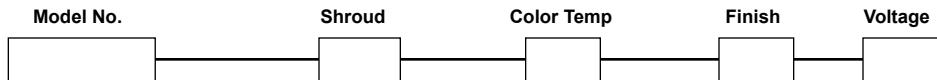
120=120V
 277=277V

Ordering Logic

| LED | Model No. | Shroud | Color Temp | Finish | Voltage |
|--------------------|-----------|--------|------------|--------|---------|
| Spot Optic | TL7012S | () | () | () | () |
| Narrow Flood Optic | TL7012N | () | () | () | () |
| Wide Flood Optic | TL7012W | () | () | () | () |

Note: Smart Select Electronic Driver: 120-277VAC 50/60 Hz auto sensing. Operating temperature range -40C to +25C. Internal lenses require accessory adapter

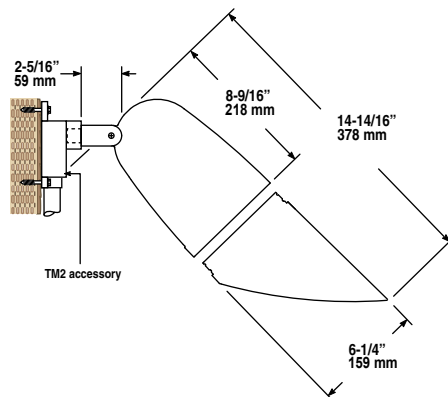
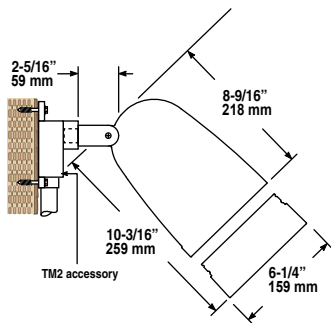
¹ Extender provides a flat faceplate.



LED Color/Lumens

| Optic | Cool White 4800K | Warm White 2750K |
|--------|------------------|------------------|
| Medium | 569 Lumens | 400 Lumens |
| Narrow | 589 Lumens | 404 Lumens |
| Wide | 525 Lumens | 342 Lumens |

Dimensions



Project Notes:

Approval:

Any dimension on this sheet is to be assumed a reference dimension and used for information purposes only. It does not govern manufacturing or inspection requirements.

Bronzelite®

100 Craftway • Littlestown, PA 17340
 800 273-1569 • Fax 717 359-9545 www.bronzelite.com

Some luminaires use fluorescent or high intensity discharge (HID) lamps that contain small amounts of mercury. Such lamps are labeled "Contains Mercury" and/or with the symbol "Hg." Lamps that contain mercury must be disposed of in accordance with local requirements. Information regarding lamp recycling and disposal can be found at www.lamprecycle.org