

TLC6000 Accent Light



Long Lasting - Rugged - Compact

The TLC Series, available in three sizes, offers a choice of light sources, power distribution systems and accessories to create impressive and effective landscape lighting designs. The rugged, heavy-duty construction of the TLC Series ensures long-lasting, low maintenance operation, even in harsh coastal environments.

The TLC6000 Series accent lights are small, rugged fixtures used to illuminate a wide variety of small to medium sized landscape and architectural elements. They are the mid-size members of the TLC Series designed for sources up to 100 watt PAR/R30. The TLC Series also includes the TLC5000 sized for MR16 and PAR/R20 lamps and the TLC7000 sized for PAR38 and E17 lamps.

Specifications

Housing:

One-piece injection molded Ryton® PPS with stainless steel fasteners and fully adjustable swivel arm with vibration-proof locking teeth. Shield for glare control included.

Lens:

Tempered glass, part of glare shield (included). When fixture is aimed straight up, lens is at 10° tilt which promotes self cleaning.

Lamps:

100 watt maximum PAR/R30 incandescent, 50 maximum MR16 quartz with integral transformer, 75 watt maximum MR16 quartz low voltage, and 70 watt maximum PAR/R30 metal halide.

Gaskets:

High temperature silicone.

Sockets:

Glazed porcelain.

Wiring:

Low voltage fixtures include a 3' pigtail and a quick connector for easy hook-up to the supply cable. Incandescent and HID fixtures are wired with high temperature #18 AWG..

Finish:

Color impregnated material. Standard finishes include dark bronze, black and verde.

Warranty:

Ten year limited warranty on composite fixture. Three year limited warranty on ballast.

Certification:

UL Listed to U.S. and Canadian safety standards for wet locations.

TLC6000 Accent Light

Project:

Fixture Type:

S=Shield

N=PAR or R Lamps

BLK=Black
DB=Dark Bronze
VRD=Verde

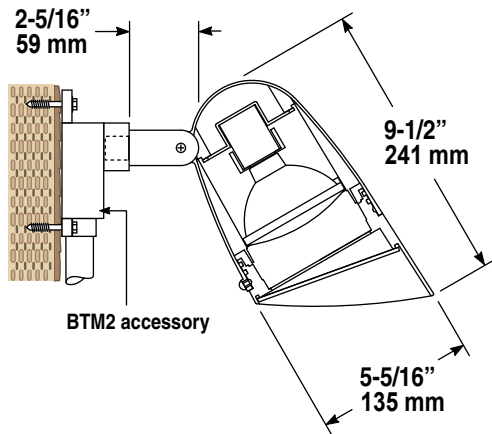
Ordering Logic

Lamp	Model No.	Shroud	Distribution	Finish
*70W MH PAR30	TLC6070MH	S	N	()
100W INC PAR 30	TLC6100I	S	N	()
**50W MR16 Low Voltage, 120/12V	TLC6016MR	S	N	()

Note: Lamp not included.
*Remote ballast required.
**Integral Transformer in fixture.

Model No.	Shroud	Distribution	Finish
	S	N	

Dimensions



Project Notes:

Approval:

Any dimension on this sheet is to be assumed a reference dimension and used for information purposes only. It does not govern manufacturing or inspection requirements.

Bronzelite®

100 Craftway Drive • Littlestown, PA 17340
800 273-1569 • Fax 717 359-9545 www.bronzelite.com

Some luminaires use fluorescent or high intensity discharge (HID) lamps that contain small amounts of mercury. Such lamps are labeled "Contains Mercury" and/or with the symbol "Hg." Lamps that contain mercury must be disposed of in accordance with local requirements. Information regarding lamp recycling and disposal can be found at www.lamprecycle.org