

## TLC5000 Accent Light



### Long Lasting - Rugged - Compact

The TLC Series, available in three sizes, offers a choice of light sources, power distribution systems and accessories to create impressive and effective landscape lighting designs. The rugged, heavy-duty construction of the TLC Series ensures long-lasting, low maintenance operation, even in harsh coastal environments.

The TLC5000 Series accent lights are compact, rugged fixtures used to illuminate a wide variety of small to medium sized landscape and architectural elements. They are the smallest members of the TLC Series designed for sources up to 75 watt MR16 and up to 50 watt PAR/R20. The TLC Series also includes the TLC6000 sized for MR16 and PAR/R30 lamps and the TLC7000 sized for PAR38/R40 and E17 lamps.

## Specifications

### Housing:

One-piece injection molded Ryton® PPS with stainless steel fasteners and fully adjustable swivel arm with vibration-proof locking teeth. Optional matching shrouds are available, specify shield for glare control.

### Lens:

Tempered glass, part of optional shrouds. Lens is required when low voltage or "R" lamps are used. Shrouds include "E" extender (short) and "S" shield (long). Shroud is required when low voltage or "R" lamps are used.

### Lamps:

50 watt maximum PAR20 and R20 incandescent and quartz, 75 watt maximum MR16 quartz, 50 watt HR20 mercury vapor and 50 watt maximum PAR20 metal halide.

### Gaskets:

High temperature silicone.

### Sockets:

Glazed porcelain.

### Wiring:

Low voltage fixtures include a 3' pigtail and a quick connector for easy hook-up to the supply cable. Incandescent and HID fixtures are wired with high temperature #18 AWG..

### Finish:

Color impregnated material. Standard finishes include dark bronze, black and verde.

### Warranty:

Ten year limited warranty on composite fixture. Three year limited warranty on ballast.

### Certification:

UL Listed to U.S. and Canadian safety standards for wet locations.

### Accessories:

**(Must Be Ordered Separately and Field Installed)**

#### BML1:

Honeycomb louver.

#### LVTS3:

Stepdown transformer for use with low voltage fixtures, Primary: 120VAC, 60 Hz., Secondary: 11/12/13 VAC., Load: 300VA.

#### LVTS6:

Stepdown transformer for use with low voltage fixtures, Primary: 120VAC, 60 Hz., Secondary: 11/12/13 VAC., Load: 600VA.

#### LVTS9:

Stepdown transformer for use with low voltage fixtures, Primary: 120VAC, 60 Hz., Secondary: 11/12/13 VAC., Load: 900VA.

#### TB1:

Above-Ground transformer, 12:120-Volt 75VA.

#### TLC5E:

Extender.

#### TLC5S:

Shroud.



TB1



TLC5E



TLC5S

# TLC5000 Accent Light

Project:

Fixture Type:

E=Extender  
S=Shield

N=PAR or R Lamps

BLK=Black  
DB=Dark Bronze  
VRD=Verde

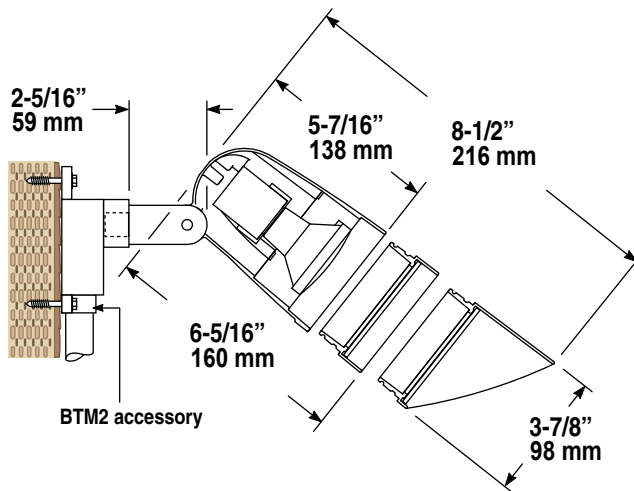
## Ordering Logic

Lamp	Model No.	Shroud	Distribution	Finish
50W Par / R20*	TLC5050	( )	N	( )
75W MR16 Low Voltage**	TLC5016LV	( )	N	( )

Note: Lamp not included.  
\*35W MH Remote ballast required for PAR20 39W MH.  
\*\*Low voltage transformer required.

Model No.	Shroud	Distribution N	Finish
-----------	--------	-------------------	--------

## Dimensions



Project Notes:

Approval:

Any dimension on this sheet is to be assumed a reference dimension and used for information purposes only. It does not govern manufacturing or inspection requirements.

**Bronzelite®**

100 Craftway Drive • Littlestown, PA 17340  
800 273-1569 • Fax 717 359-9545 www.bronzelite.com

Some luminaires use fluorescent or high intensity discharge (HID) lamps that contain small amounts of mercury. Such lamps are labeled "Contains Mercury" and/or with the symbol "Hg." Lamps that contain mercury must be disposed of in accordance with local requirements. Information regarding lamp recycling and disposal can be found at [www.lamprecycle.org](http://www.lamprecycle.org)