

TLB8000 Flood Light



Brass Construction - Harsh Environments

Brass Bullytes are designed for harsh, corrosive environments such as those found along coastal waterways and heavily fertilized areas. The smooth lines of the one-piece die cast brass housing easily blend in to the fully rotatable shroud with tempered glass lens resulting in a classic bullyte design that will offer years of trouble-free operation.

The large member of the TLB Series, the TLB8000 is designed for 150 watt maximum PAR38/R40/E17 HID, 300 watt maximum PAR38/R40 incandescent. The series includes the compact TLB16 (50 watt maximum MR16 lamps), and the mid-sized TLB5000 (50 watt maximum PAR 20 incandescent and metal halide, 75 watt maximum MR16 lamps maximum MR16 lamps).

Specifications

Housing:

Die cast brass with stainless steel fasteners and fully adjustable swivel arm with vibration-proof locking teeth. Fixture is field adjustable from horizontal to vertical.

Reflector:

For E17 lamps, spun specular aluminum spot (15°) or flood (70°).

Lens:

Tempered glass, part of die cast brass glare shield. When fixture is aimed straight up, lens is at 10° tilt which promotes self-cleaning.

Lamp:

150 watt maximum PAR38, R40, E17 HID and 300 watt maximum PAR38/R40 incandescent.

Gasket:

High temperature silicone.

Socket:

Glazed porcelain, medium base.

Wiring:

High temperature #18 AWG.

Warranty:

Limited lifetime warranty.

Certification:

UL Listed to U.S. and Canadian safety standards for wet locations.

TLB8000 Flood Light

Project:

Fixture Type:

F=Flood
S=Spot
N=PAR or R Lamps

120=120V
208=208V
240=240V
277=277V

Ordering Logic

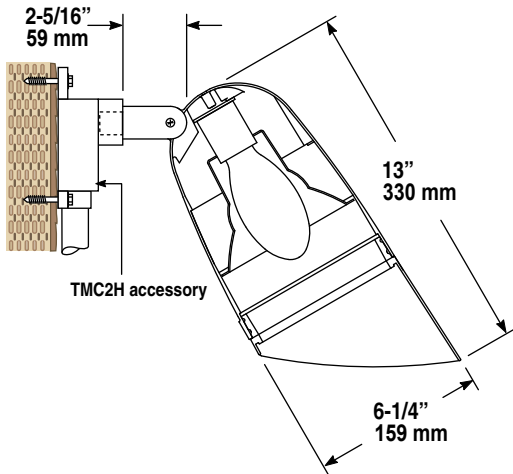
Wattage/Lamp	Model No.	Distribution	Voltage
35W MH, PAR20	TLB8035MH	N	(120,277)
50W MH, E17	TLB8050MH	(F,S)	()
70W MH, E17 or PAR38	TLB8070MH	()	()
100W MH, E17 or PAR38	TLB8100MH	()	()
150W MH, E17	TLB8150MH	()	()
35W HPS, E17	TLB8035HPS	(F,S)	(120,277)
50W HPS, E17	TLB8050HPS	(F,S)	()
70W HPS, E17 or PAR38	TLB8070HPS	()	()
100W HPS, E17 or PAR40	TLB8100HPS	(F,S)	()
150W HPS, E17	TLB8150HPS	(F,S)	()
300W INC, PAR/R	TLB8300I	N	120

Model No.

Distribution

Voltage

Dimensions



Project Notes:

Approval:

Any dimension on this sheet is to be assumed a reference dimension and used for information purposes only. It does not govern manufacturing or inspection requirements.

Bronzelite[®]
100 Craftway Drive • Littlestown, PA 17340
800 273-1569 • Fax 717 359-9545 www.bronzelite.com

Some luminaires use fluorescent or high intensity discharge (HID) lamps that contain small amounts of mercury. Such lamps are labeled "Contains Mercury" and/or with the symbol "Hg." Lamps that contain mercury must be disposed of in accordance with local requirements. Information regarding lamp recycling and disposal can be found at www.lamprecycle.org