

TLB5000 Flood Light



Brass Construction - Harsh Environments

Brass Bullytes are designed for harsh, corrosive environments such as those found along coastal waterways and heavily fertilized areas. The smooth lines of the one-piece die cast brass housing easily blend in to the fully rotatable shroud with tempered glass lens resulting in a classic bullyte design that will offer years of trouble-free operation.

The mid-sized member of the TLB Series, the TLB5000 is designed for 50 watt maximum PAR 20 incandescent and metal halide, 75 watt maximum MR16 lamps. The series includes the compact TLB16 (50 watt maximum MR16 lamps) and the large TLB8000 (150 watt maximum PAR38/R40/E17 HID, 300 watt maximum PAR38/R40 incandescent).

Specifications

Housing:

Die cast brass with stainless steel fasteners and fully adjustable swivel arm with vibration-proof locking teeth. Fixture is field adjustable from horizontal to vertical.

Lens:

Tempered glass, part of die cast brass glare shield. When fixture is aimed straight up, lens is at 10° tilt which promotes self-cleaning.

Lamp:

50 watt maximum PAR20/R20 incandescent short neck, 50 watt maximum PAR20 metal halide, 75 watt maximum MR16 12V bi-pin.

Gasket:

High temperature silicone.

Socket:

Glazed porcelain, medium base for PAR20/R20 lamps, bi-pin for MR16 lamps.

Wiring:

Incandescent and HID fixtures wired with high temperature # 18 AWG. Low voltage fixtures pre-wired with 3-ft pigtail and includes a quick connector for easy hook-up to the low voltage supply cable (not included). 12 volt system requires remote transformer (sold separately).

Warranty:

Limited lifetime warranty.

Certification:

UL Listed to U.S. and Canadian safety standards for wet locations.

TLB5000 Flood Light

Project:

Fixture Type:

Ordering Logic

Wattage/Lamp	Model No.	Distribution	Voltage
50W*, R or PAR Short Neck	TLB5050	N	120
75W MR16 Low Voltage	TLB5016LV	-	12

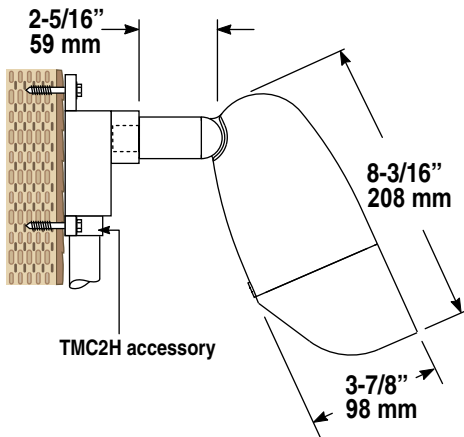
Note: *35W MH Remote ballast required for TLB5050 PAR20 39W MH, must order mounting accessory separately.

Model No.

Distribution

Voltage

Dimensions




Project Notes:

Approval:

Any dimension on this sheet is to be assumed a reference dimension and used for information purposes only. It does not govern manufacturing or inspection requirements.

Bronzelite®
 100 Craftway Drive • Littlestown, PA 17340
 800 273-1569 • Fax 717 359-9545 www.bronzelite.com

 Some luminaires use fluorescent or high intensity discharge (HID) lamps that contain small amounts of mercury. Such lamps are labeled "Contains Mercury" and/or with the symbol "Hg." Lamps that contain mercury must be disposed of in accordance with local requirements. Information regarding lamp recycling and disposal can be found at www.lamprecycle.org