

TLB16 Accent Light



Brass Construction - Harsh Environments

Brass Bullytes are designed for harsh, corrosive environments such as those found along coastal waterways and heavily fertilized areas. The smooth lines of the one-piece die cast brass housing easily blend in to the fully rotatable shroud with tempered glass lens resulting in a classic bullyte design that will offer years of trouble-free operation.

The compact member of the TLB Series, the TLB16 is designed for 50 watt maximum MR16 lamps. The series includes the mid-sized TLB5000 (50 watt maximum PAR 20 incandescent and metal halide, 75 watt maximum MR16 lamps) and the large TLB8000 (150 watt maximum PAR38/R40/E17 HID, 300 watt maximum PAR38/R40 incandescent).

Specifications

Housing:

Die cast brass with stainless steel fasteners and fully adjustable swivel arm with vibration-proof locking teeth. Fixture is field adjustable from horizontal to vertical.

Lens:

Tempered glass, part of die cast brass glare shield. When fixture is aimed straight up, lens is at 10° tilt which promotes self-cleaning.

Lamp:

50 watt maximum MR16 12V bi-pin.

Gasket:

High temperature silicone.

Socket:

Glazed porcelain, bi-pin.

Wiring:

Pre-wired with 3-ft pigtail and includes a quick connector for easy hook-up to the low voltage supply cable (not included). 12 volt system requires remote transformer (sold separately).

Warranty:

Limited lifetime warranty.

Certification:

UL Listed to U.S. and Canadian safety standards for wet locations.

TLB16 Accent Light

Project:

Fixture Type:

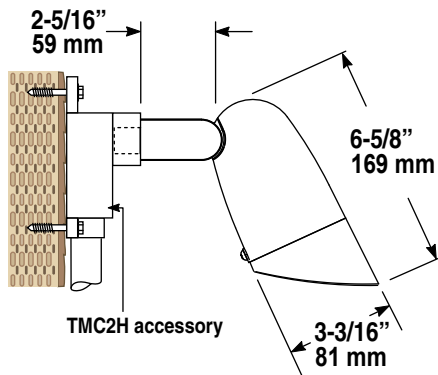
Ordering Logic

Wattage/Lamp	Model No.	Voltage
MR16 Low Voltage*	TLB16LV	(12)

Note: *Requires remote transformer.

Model No.	Voltage
TLB16LV	12

Dimensions



Project Notes:

Approval:

Any dimension on this sheet is to be assumed a reference dimension and used for information purposes only. It does not govern manufacturing or inspection requirements.

Hg Some luminaires use fluorescent or high intensity discharge (HID) lamps that contain small amounts of mercury. Such lamps are labeled "Contains Mercury" and/or with the symbol "Hg." Lamps that contain mercury must be disposed of in accordance with local requirements. Information regarding lamp recycling and disposal can be found at www.lamprecycle.org

Bronzelite[®]
 100 Craftway Drive • Littlestown, PA 17340
 800 273-1569 • Fax 717 359-9545 www.bronzelite.com