

TL7000 Flood Light



Long Lasting - Rugged

The TL Series, available in three sizes, offers a choice of light sources, power distribution systems and accessories to create impressive and effective landscape lighting designs. The rugged, heavy-duty construction of the TL Series ensures long-lasting, low maintenance operation.

The TL7000 Series accent lights are rugged fixtures used to illuminate a wide variety of medium to large sized landscape and architectural elements. They are the largest member of the TL Series designed for sources up to 300 watt PAR38 and R40 incandescent and quartz lamps; up to 150W PAR38, R40 and E17 lamps; and 18/26/32 watt compact fluorescent. The TL Series also includes the TL5000 sized for MR16 and PAR/R20 lamps and the TL6000 sized for PAR/R30 and MR16 lamps.

Specifications

Housing:

Die cast aluminum (copper free) with stainless steel fasteners and fully adjustable swivel arm with vibration proof locking teeth. Optional shrouds are available, specify shield for glare control.

Lens:

Tempered glass, part of optional shrouds. Lens is required when "R" or E17 lamps are used. Shrouds are "E" extender (short) and "S" shield (long). Shroud is required when using "R" and E17 lamps.

Lamps:

300 watt maximum PAR38 and R40 incandescent quartz; 150 watt PAR38, R40 and E17 mercury vapor and metal halide; and 18/26/32 watt compact fluorescent.

Reflectors:

Spun, specular aluminum available for E17 lamping in spot (15°) and flood (70°) beam patterns, for compact fluorescent in flood (70°) beam pattern.

Gaskets:

High temperature silicone.

Sockets:

Incandescent and HID are 4kv pulse rated high temperature porcelain; compact fluorescent are GX24q-2 for 18 watt, and GX24q-3 for 26 watt and 32 watt.

Wiring:

High temperature #18 AWG.

Finish:

Color thermoset polyester powdercoat. Standard finishes include dark bronze and black. Verde finish is hand-rubbed over a black thermoset polyester powdercoat.

Warranty:

Three year limited warranty.

Certification:

ETL Listed to U.S. and Canadian safety standards for wet locations.

Accessories:

(Must Be Ordered Separately and Field Installed)

TL7E:

Extender.

TL7S:

Shroud.



TL7E



TL7S

TL7000 Flood Light

Project:

Fixture Type:

E=Extender
S=Shield
N=None

S=Spot
F=Flood
N=PAR or R Lamps

BLK=Black
DB=Dark Bronze
VRD=Verde

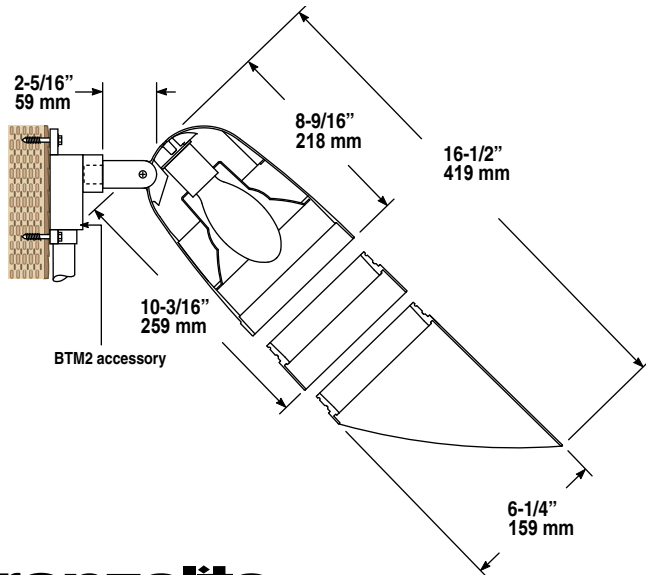
Ordering Logic

Lamp	Model No.	Shroud	Distribution	Finish	Voltage
300W, INC "R" or "PAR"	TL7300I	N	N	()	-
150W, *HID	TL7150	E,S	()	()	-
**CFL	TL7018F	E,S	F	()	(120)
**CFL	TL7026F	E,S	F	()	(120)
**CFL	TL7032F	E,S	F	()	(120)

Note: Lamp not included.
*Remote ballast required for all HID fixtures
**Integral transformer for all CFL fixtures - must specify 120V or 277V

Model No.	Shroud	Distribution	Finish	Voltage
-----------	--------	--------------	--------	---------

Dimensions



Project Notes:

Approval:

Any dimension on this sheet is to be assumed a reference dimension and used for information purposes only. It does not govern manufacturing or inspection requirements.

Some luminaires use fluorescent or high intensity discharge (HID) lamps that contain small amounts of mercury. Such lamps are labeled "Contains Mercury" and/or with the symbol "Hg." Lamps that contain mercury must be disposed of in accordance with local requirements. Information regarding lamp recycling and disposal can be found at www.lamprecycle.org

Bronzelite[®]
100 Craftway Drive • Littlestown, PA 17340
800 273-1569 • Fax 717 359-9545 www.bronzelite.com