

TL5000 Accent Light



Long Lasting - Rugged - Compact

The TL Series, available in three sizes, offers a choice of light sources, power distribution systems and accessories to create impressive and effective landscape lighting designs. The rugged, heavy-duty construction of the TL Series ensures long-lasting, low maintenance operation.

The TL5000 Series accent lights are compact, rugged fixtures used to illuminate a wide variety of small to medium sized landscape and architectural elements. They are the smallest members of the TL Series designed for sources up to 75 watt MR16 and up to 50 watt PAR/R20. The TL Series also includes the TL6000 sized for MR16 and PAR/R30 lamps and the TL7000 sized for PAR38/R40 and E17 lamps.

Specifications

Housing:

Die cast aluminum (copper free) with stainless steel fasteners and fully adjustable swivel arm with vibration-proof locking teeth. Choice of shrouds, specify shield for glare control.

Lens:

Tempered glass, part of optional shrouds. Lens is required when low voltage or "R" lamps are used. Shrouds include "E" extender (short) and "S" shield (long). Shroud is required when low voltage or "R" lamps are used.

Lamps:

50 watt maximum PAR20 and R20 incandescent and quartz, 75 watt maximum MR16 quartz, 50 watt HR20 mercury vapor and 50 watt maximum PAR20 metal halide.

Gaskets:

High temperature silicone.

Sockets:

Glazed porcelain.

Wiring:

Low voltage fixtures include a 3' pigtail and a quick connector for easy hook-up to the supply cable. Incandescent and HID fixtures are wired with high temperature #18 AWG..

Finish:

Color thermoset polyester powdercoat. Standard finishes include dark bronze and black. Verde finish is hand-rubbed over a black thermoset polyester powdercoat.

Warranty:

Three year limited warranty.

Certification:

UL Listed to U.S. and Canadian safety standards for wet locations.

Accessories:

(Must Be Ordered Separately and Field Installed)

BML1:

Honeycomb louver.

LVTS3:

Stepdown transformer for use with low voltage fixtures, Primary: 120VAC, 60 Hz., Secondary: 11/12/13 VAC., Load: 300VA.

LVTS6:

Stepdown transformer for use with low voltage fixtures, Primary: 120VAC, 60 Hz., Secondary: 11/12/13 VAC., Load: 600VA.

LVTS9:

Stepdown transformer for use with low voltage fixtures, Primary: 120VAC, 60 Hz., Secondary: 11/12/13 VAC., Load: 900VA.

TB1:

Above-Ground transformer, 12:120-Volt 75VA.

TL5E:

Extender.

TL5S:

Shroud.



TB1



TL5E



TL5S

TL5000 Accent Light

Project:

Fixture Type:

E=Extender
S=Shield

N=PAR or R Lamps

BLK=Black
DB=Dark Bronze
VRD=Verde

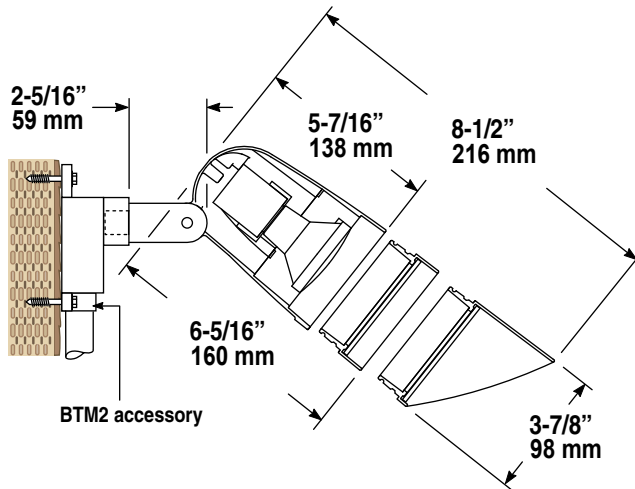
Ordering Logic

Lamp	Model No.	Shroud	Distribution	Finish
75W MR16 Low Voltage (integral Transformer)	TL5016MR	()	N	()
50W Par20*	TL5050	()	N	()
75W MR16** Low Voltage	TL55016LV	()	N	()

Note: Lamp not included.
* 35W MH Remote ballast required FOR PAR20 39W MH.
** Low voltage transformer required.

Model No.	Shroud	Distribution	Finish
		N	

Dimensions



Project Notes:

Approval:

Any dimension on this sheet is to be assumed a reference dimension and used for information purposes only. It does not govern manufacturing or inspection requirements.

Bronzelite[®]
100 Craftway Drive • Littlestown, PA 17340
800 273-1569 • Fax 717 359-9545 www.bronzelite.com

Some luminaires use fluorescent or high intensity discharge (HID) lamps that contain small amounts of mercury. Such lamps are labeled "Contains Mercury" and/or with the symbol "Hg." Lamps that contain mercury must be disposed of in accordance with local requirements. Information regarding lamp recycling and disposal can be found at www.lamprecycle.org