

TL4050 Accent Light



Low Volt - Precise Beam Pattern

The Bronzelite TL4050 Accent luminaires are designed to produce precise beam patterns utilizing MR11 or MR16 lamps. The rugged and durable housing and shroud are die cast aluminum with a variety of powder coat finishes. The 12 volt mounting arm is used with a low voltage transformer for open settings and terrains to enhance and beautify architectural building materials and landscape.

The 120/12 volt mounting arm eliminates the need for a low voltage transformer on those harder to reach mounting areas. Mounting accessories for ingrade junction boxes, surface mount, wall mount, or tree mount applications complete the task and get the expected lighting results.

Specifications

Housing:

Die cast aluminum (copper free) with stainless steel fasteners and fully adjustable swivel arm with vibration-proof locking teeth. Choice of shrouds, specify shield for glare control.

Lens:

Tempered glass, part of shroud.

Lamps:

50 watt maximum MR16 halogen, not included.

Gaskets:

High temperature silicone.

Sockets:

High-temperature porcelain bi-pin.

Wiring:

The TL4016LV is prewired with a 3' pigtail and a quick connector for easy hook-up to the low voltage supply cable (not supplied). 12 volt system requires remote transformer (sold separately). The 120/12 transformer are prewired with high temperature #18 AWG.

Electrical:

TL4016MR - stepdown transformer reduces 120V line voltage to 12 volts. Transformer is potted/encapsulated and features thermal overload protections.

Finish:

Color thermoset polyester powdercoat. Standard finishes include dark bronze and black. Verde finish is hand-rubbed over a black thermoset polyester powdercoat.

Warranty:

Three year limited warranty.

Certification:

UL Listed to U.S. and Canadian safety standards for wet locations.

IP66:

Dust-tight and sealed against direct jets of water.

Accessories:

(Must Be Ordered Separately and Field Installed)

IHL16:

Snap-on aluminum honeycomb louver for MR16 lamps.

ILIB16:

Snap-on internal ice blue lens for MR16 lamps.

ILSB16:

Snap-on internal spread lens for MR16 lamps.

ILSB16:

Snap-on internal linear spread lens for MR16 lamps.

LVTS3:

Stepdown transformer for use with low voltage fixtures, Primary: 120VAC, 60 Hz., Secondary: 11/12/13 VAC., Load: 300VA.

LVTS6:

Stepdown transformer for use with low voltage fixtures, Primary: 120VAC, 60 Hz., Secondary: 11/12/13 VAC., Load: 600VA.

LVTS9:

Stepdown transformer for use with low voltage fixtures, Primary: 120VAC, 60 Hz., Secondary: 11/12/13 VAC., Load: 900VA.

TL4050 Accent Light

Project:

Fixture Type:

S=Shield

N=MR16 Lamp

BLK=Black
DB=Dark Bronze
VRD=Verde

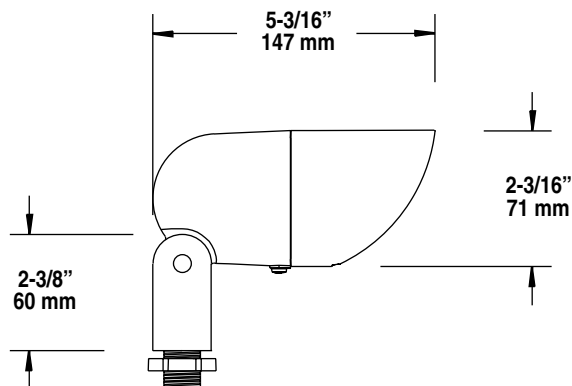
Ordering Logic

Lamp	Model No.	Shroud	Distribution	Finish
50W MR16*	TL4050LV	S	N	()
50W MR16 (120/12 Transformer Arm)	TL4050MR	S	N	()

Note: Lamp not included.
*Low voltage transformer required.

Model No.	Shroud	Distribution	Finish
	S	N	

Dimensions




Project Notes:

Approval:

Any dimension on this sheet is to be assumed a reference dimension and used for information purposes only. It does not govern manufacturing or inspection requirements.

Bronzelite[®]

100 Craftway Drive • Littlestown, PA 17340
800 273-1569 • Fax 717 359-9545 www.bronzelite.com

 Some luminaires use fluorescent or high intensity discharge (HID) lamps that contain small amounts of mercury. Such lamps are labeled "Contains Mercury" and/or with the symbol "Hg." Lamps that contain mercury must be disposed of in accordance with local requirements. Information regarding lamp recycling and disposal can be found at www.lamprecycle.org