

# Bronzelite

100 Craftway Drive • Littlestown, PA 17340 • Phone: 800 273-1569 • Fax: 717 359-9545 • www.bronzelite.com

## TL3 Accent Light



### Low Volt - Precise Beam Pattern

The Bronzelite TL3 Series Accent luminaires are designed to produce precise beam patterns utilizing T3, MR8, MR11 Lamps or LED optics. The rugged and durable housing and shroud are die cast aluminum with a variety of powder coat finishes. The 12 volt mounting arm is used with a low voltage transformer for open settings and terrains to enhance and beautify architectural building materials and landscape. The 120/12 volt mounting arm eliminates the need for a low voltage transformer on those harder to reach mounting areas. Mounting accessories for ingrade junction boxes, surface mount, wall mount, or tree mount applications complete the task and get the expected lighting results.

## Specifications

### Housing:

Die cast aluminum (copper free) with stainless steel fasteners and fully adjustable swivel arm with vibration-proof locking teeth.

### Lens:

Clear tempered glass, part of shroud. Optional frosted lens.

### Lamps:

35 watt maximum MR11, 20 watt maximum T3, or 27 watt maximum 1156 low voltage lamp halogen, not included.

LED: 1.6W with integral collimating spot (12°) optics. Cool white (4000K nominal) or warm white (3000K nominal). Approximately 50,000 hrs. of operational life (at 25°C ambient temp and 70% lumen maintenance) > 80 CRI.

### Gasket:

High temperature silicone.

### Sockets:

MR8, MR11, T3: High-temperature porcelain bi-pin. 1156 single contact bayonet (S-8).

### Wiring:

Low voltage prewired with a 3' pigtail and a quick connector for easy hook-up to the low voltage supply cable (not supplied). 12 volt system requires remote transformer (sold separately). The 120/12 transformer are prewired with high temperature #18 AWG.

### Electrical:

TL3035MR11 or 20T3 - stepdown transformer reduces 120V line voltage to 12 volts. Transformer is potted/ encapsulated and features thermal overload protection.

### Warranty:

Three year limited warranty. LED - five year limited warranty.

### Certification:

ETL Listed to U.S. and Canadian safety standards for wet locations.

### Accessories:

**(Must Be Ordered Separately and Field Installed)**

### ML7:

Honeycomb louver.

### LVTS3:

Stepdown transformer for use with low voltage fixtures, Primary: 120VAC, 60 Hz., Secondary: 12/13/14/15 VAC., Load: 300VA.

### LVTS6:

Stepdown transformer for use with low voltage fixtures, Primary: 120VAC, 60 Hz., Secondary: 12/13/14/15 VAC., Load: 600VA.

### LVTS9:

Stepdown transformer for use with low voltage fixtures, Primary: 120VAC, 60 Hz., Secondary: 112/13/14/15 VAC., Load: 900VA.

TL301DLV - Input voltage range (VAC): 10-14. Input frequency: 60Hz, (magnetic low voltage transformer required). 12 volts, 1.6 total watts. Integral electronic LED driver. -10°C/14°F minimum starting temperature. Low voltage transformer must be ordered to power the fixtures.

# TL3 Accent Light

Project:

Fixture Type:

N=No reflector or MR Lamp  
C=Clear (standard)  
F=Frosted

BLK=Black  
DB=Dark Bronze  
VRD=Verde

C=Cool White (4000K)  
W=Warm White (3000K)

E=Extender

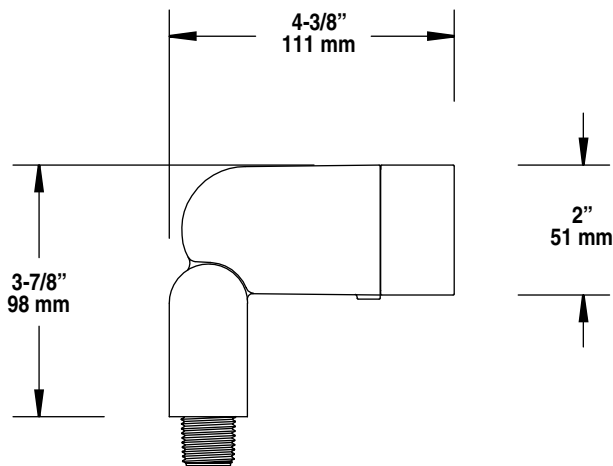
## Ordering Logic

Wattage/Lamp	Model No.	Shroud	Lens	Finish	Color Temperature
20W T3*	TL3020	E	N	( )	
35W MR11*	TL3035LV	E	N	( )	
20W T3 (integral transformer)	TL3020T3	E	N	( )	
35W MR11 (integral transformer)	TL3035MT11	E	N	( )	
27W 1156*	TL3027LV	E	N	( )	
1W LED	TL301DLV	E	(C,F)	( )	( )

Note: \*Low voltage transformer required.

Model No.	Shroud	Lens	Finish	Color Temp.
	E			

## Dimensions



Project Notes:

Approval:

Any dimension on this sheet is to be assumed a reference dimension and used for information purposes only. It does not govern manufacturing or inspection requirements.

Some luminaires use fluorescent or high intensity discharge (HID) lamps that contain small amounts of mercury. Such lamps are labeled "Contains Mercury" and/or with the symbol "Hg." Lamps that contain mercury must be disposed of in accordance with local requirements. Information regarding lamp recycling and disposal can be found at [www.lamprecycle.org](http://www.lamprecycle.org)

# Bronzelite

100 Craftway Drive • Littlestown, PA 17340  
800 273-1569 • Fax 717 359-9545 [www.bronzelite.com](http://www.bronzelite.com)