

TL12/TLF13/TLF14 Flood Light



Sign Lighting - Wall Wash

Architectural Floods provide bright, even illumination in commercial applications and are well suited for signs, wall washing and silhouetting. The housings are constructed of cast aluminum with an integral shroud on most models. Finishes include black, bronze or white thermoset powder coat with hand applied verde available.

The TL14 - (2) 9 watt PL-S fluorescent lamps is one of the larger fixtures in the TL series floodlytes along with the TL12 (75 watt A19 incandescent lamp) and the TLF13 (13 watt PL-S fluorescent lamp).

Specifications

Housing:

Die cast aluminum (copper free) with stainless steel fasteners and fully adjustable swivel arm with vibration-proof locking teeth.

Reflector:

Aluminum, painted white.

Lens:

Tempered glass.

Lamp:

TL12 - 75 watt maximum A19 incandescent.
TLF13 - 13 watt PL-S compact fluorescent.
TLF14 - (2) 9 watt PL-S compact fluorescents.

Gasket:

High temperature silicone.

Socket:

TL12 - Glazed porcelain, medium base.
TLF13 - High temperature plastic GX23.
TLF14 - High temperature plastic G23.

Wiring:

High temperature #18 AWG.

Finish:

Color thermoset polyester powdercoat. Standard finishes include dark bronze, black, white and verde.

Warranty:

Three year limited warranty.

Certification:

UL Listed to U.S. and Canadian safety standards for wet locations.

TL12/TLF13/TLF14 Flood Light

Project:

Fixture Type:

BLK=Black
WHT=White
DB=Dark Bronze
VRD=Verde

Ordering Logic

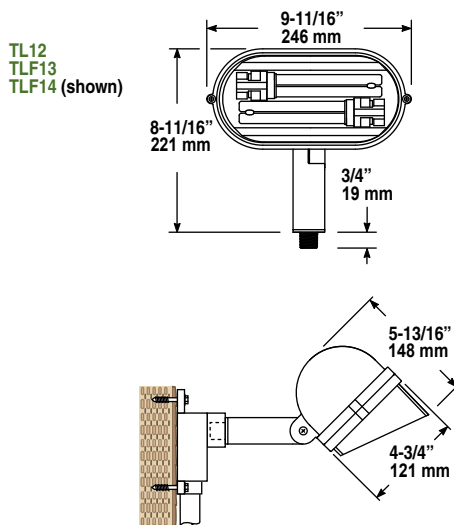
Wattage/Lamp	Model No.	Finish
75W A19 Incandescent	TL12	()
13W PL GX23 Fluorescent	TLF13	()
(2) 9W PL G23 Fluorescents	TLF14	()

Note: Lamp not included.

Model No.

Finish

Dimensions



Project Notes:

Approval:

Any dimension on this sheet is to be assumed a reference dimension and used for information purposes only. It does not govern manufacturing or inspection requirements.

Some luminaires use fluorescent or high intensity discharge (HID) lamps that contain small amounts of mercury. Such lamps are labeled "Contains Mercury" and/or with the symbol "Hg." Lamps that contain mercury must be disposed of in accordance with local requirements. Information regarding lamp recycling and disposal can be found at www.lamprecycle.org

Bronzelite[®]

100 Craftway Drive • Littlestown, PA 17340
800 273-1569 • Fax 717 359-9545 www.bronzelite.com