

## TL11 Flood Light



### Sign Lighting - Wall Wash

Architectural Floods provide bright, even illumination in commercial applications and are well suited for signs, wall washing and silhouetting. The housings are constructed of cast aluminum with an integral shroud. Finishes include black, bronze or white thermoset powder coat with hand applied verde available.

The low profile TL11 (75 watt T4 halogen lamp, included) is but one of the TL series floodlights. The family of fixtures includes the larger TL12 (75 watt A19 incandescent lamp), TLF13 (13 watt PL-S fluorescent lamp) and TLF14 (2-9 watt PL-S fluorescent lamps).

### Specifications

**Housing:**

Die cast aluminum (copper free) with stainless steel fasteners and fully adjustable swivel arm with vibration-proof locking teeth.

**Reflector:**

Segmented specular aluminum.

**Lens:**

Tempered glass.

**Lamp:**

75 watt maximum T4 halogen (included).

**Gasket:**

High temperature silicone.

**Socket:**

Mini-can (E10) base.

**Wiring:**

High temperature #18 AWG.

**Finish:**

Color thermoset polyester powdercoat. Standard finishes include dark bronze, black, white and verde.

**Warranty:**

Three year limited warranty.

**Certification:**

UL Listed to U.S. and Canadian safety standards for wet locations.

**Accessories:**

**(Must Be Ordered Separately and Field Installed)**

**IHLTL11:**

Honeycomb Louver.



IHLTL11

# TL11 Flood Light

Project:

Fixture Type:

BLK=Black  
 WHT=White  
 DB=Dark Bronze  
 VRD=Verde

## Ordering Logic

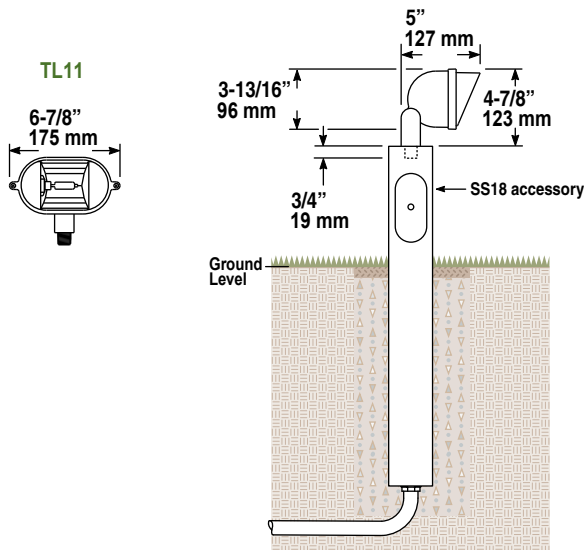
Wattage/Lamp	Model No.	Finish
75W T4 Halogen	TL11	( )

Note: Lamp not included.

Model No.  
 TL11

Finish


## Dimensions



Project Notes:

Approval:

Any dimension on this sheet is to be assumed a reference dimension and used for information purposes only. It does not govern manufacturing or inspection requirements.

 Some luminaires use fluorescent or high intensity discharge (HID) lamps that contain small amounts of mercury. Such lamps are labeled "Contains Mercury" and/or with the symbol "Hg." Lamps that contain mercury must be disposed of in accordance with local requirements. Information regarding lamp recycling and disposal can be found at [www.lamprecycle.org](http://www.lamprecycle.org)

**Bronzelite®**  
 100 Craftway Drive • Littlestown, PA 17340  
 800 273-1569 • Fax 717 359-9545 [www.bronzelite.com](http://www.bronzelite.com)