

FL9000 Flood Light



Sign Lighting - Wall Wash

The FL9000 Series architectural floodlight is a ground mounted uplight designed to provide even illumination without hotspots. The reflector is precision-formed from hammertone aluminum and an integral hinged lens bracket pivots down for lens removal and relamping. The FL9000 is constructed of die-cast aluminum with a thermoset polyester powdercoat for lasting beauty.

Specifications

Housing:

Single piece die-cast aluminum with aluminum glare shield.

Lens:

1/8" tempered glass secured by spring clips. Lens bracket is one-piece die-cast aluminum. Integral hinge pivots lens bracket down for easy removal of the lens and relamping.

Reflector:

Formed hammertone aluminum and semi-specular kick plates.

Gaskets:

High temperature silicone.

Mounting:

Swivel arm with locking teeth provides adjustment by tightening one stainless steel recessed screw. Swivel arms include 1/2" N.P.S. male thread for mounting.

Sockets:

4KV pulse rated high temperature porcelain, mounted directly on to the reflector assembly.

Ballast:

High power factor core and coil, multi-tap.

Finish:

Color thermoset polyester powdercoat. Standard finishes include dark bronze, black, white and verde.

Warranty:

Three year limited warranty.

Certification:

UL Listed to U.S. and Canadian safety standards for wet locations.

Accessories:

(Must Be Ordered Separately and Field Installed)

BMW32:

Lens shield (175W max).

FL9CL:

Colored lens, blue, green, red, amber.

BMW34:

Wall/ceiling canopy mount.

BPT21:

Post top mount (single).

BPT22:

Post top mount (twin).

BSS18:

Single stanchion mount.

BTM3:

Tree mount junction box.

BMPA4:

Single post top adapter - 3" O.D.

BMW33:

Round Junction Box.



BMPA4



BTM3



BSS18



BMW34



BPT21



BPT22

FL9000 Flood Light

Project:

Fixture Type:

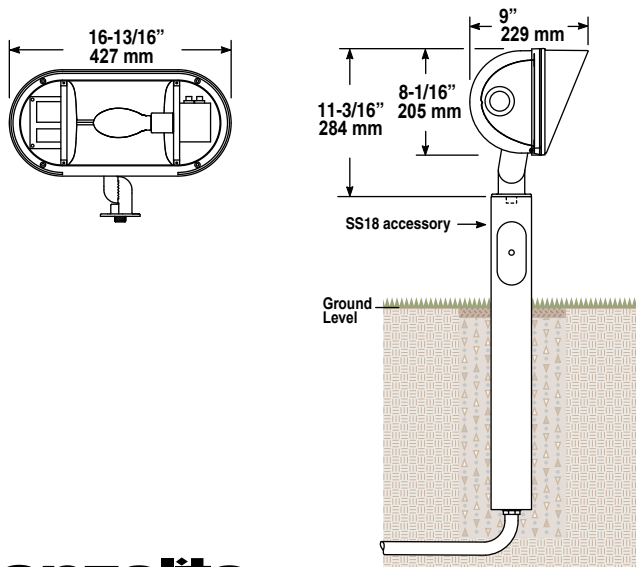
VF=Vertical Flood
HF=Horizontal Flood
HS=Horizontal Spot
120=120V
208=208V
240=240V
277=277V
BLK=Black
WHT=White
DB=Dark Bronze
VRD=Verde

Ordering Logic

Wattage/Lamp	Model No.	Optics	Voltage	Finish
70W Metal Halide E17	FL9070H	()	()	()
100W Metal Halide E17	FL9100H	()	()	()
150W Metal Halide E17	FL9150H	()	()	()
150W Metal Halide E17	FL9150H	()	()	()
250W Metal Halide (Mog) E28	FL9250H*	(VF,HS)	()	()
70W High Pressure Sodium E17	FL9070S	()	()	()
100W High Pressure Sodium E17	FL9100S	()	()	()
150W High Pressure Sodium E17	FL9150S	()	()	()
250W High Pressure Sodium (Mog E28)	FL9250S*	(VF,HS)	()	()
300W Incandescent Qrtz. T4 Mini-Can	FL9300Q	()	(120)	()

Note: Lamp not included.
 *Not available in horizontal flood and has a remote ballast housing.

Dimensions



Project Notes:

Approval:

Any dimension on this sheet is to be assumed a reference dimension and used for information purposes only. It does not govern manufacturing or inspection requirements.

Some luminaires use fluorescent or high intensity discharge (HID) lamps that contain small amounts of mercury. Such lamps are labeled "Contains Mercury" and/or with the symbol "Hg." Lamps that contain mercury must be disposed of in accordance with local requirements. Information regarding lamp recycling and disposal can be found at www.lamprecycle.org

Bronzelite®
 100 Craftway Drive • Littlestown, PA 17340
 800 273-1569 • Fax 717 359-9545 www.bronzelite.com