

# Bronzelite

100 Craftway Drive • Littlestown, PA 17340 • Phone: 800 273-1569 • Fax: 717 359-9545 • www.bronzelite.com

## FL7000 Flood Light



### Sign Lighting - Wall Wash

The FL7000 Series architectural floodlight is a ground-mounted upright designed to provide even illumination without hotspots. The reflector is precision-formed from hammertone aluminum and an integral hinged lens bracket pivots down for lens removal and relamping. The FL7000 is constructed of extruded aluminum with a thermoset polyester powdercoat for lasting beauty.

### Specifications

**Housing:**

Single piece extruded aluminum with aluminum glare shield and round die-cast, aluminum end caps.

**Lens:**

1/8" clear acrylic for 30-3/4" and 55-1/2" fluorescent, or 1/8" tempered glass for metal halide, or high pressure sodium and 17-3/4" fluorescent. Lens bracket is one-piece aluminum extrusion. Integral hinge pivots lens bracket down for easy removal of the lens and relamping.

**Aiming:**

Includes up to a 60° back tilt. Fixtures used outdoors must be protected from rain and sprinklers if aimed downward.

**Reflector:**

Formed hammertone aluminum.

**Gaskets:**

High temperature silicone.

**Mounting:**

Swivel arm with locking teeth provides adjustment by tightening one stainless steel recessed screw. 2- 1/2' and 4-1/2' long versions have a second adjustable swivel arm which adjusts laterally along the housing to enable easy mounting on an additional box for support. Swivel arms include 1/2" N.P.T. male thread for mounting.

**Sockets:**

Sockets for HID are 4KV pulse rated high temperature porcelain. Sockets for fluorescents are high temperature plastics: 13W PL-S uses GX23, 26W and 32W PLT uses GX24q-3, 32W T8 uses G13, 40W PL-L uses 2G11, 40W T12 uses G13 and 50W PL-L uses 2G11.

**Ballast:**

Integral ballasts for HID are high power factor core and coil, multi-tap. Ballasts for PL fluorescent are normal power factor core and coil, for T8 and T12 are encapsulated.

**Finish:**

Color thermoset polyester powdercoat. Standard finishes include dark bronze, black, white and verde.

**Warranty:**

Three year limited warranty.

**Certification:**

ETL Listed to U.S. and Canadian safety standards for wet locations.

**Accessories:**

**(Must Be Ordered Separately and Field Installed)**

**BSS18:**

Single stanchion mount.



BSS18

# FL7000 Flood Light

Project:

Fixture Type:

120=120V  
277=277V

BLK=Black  
WHT=White  
DB=Dark Bronze  
VRD=Verde

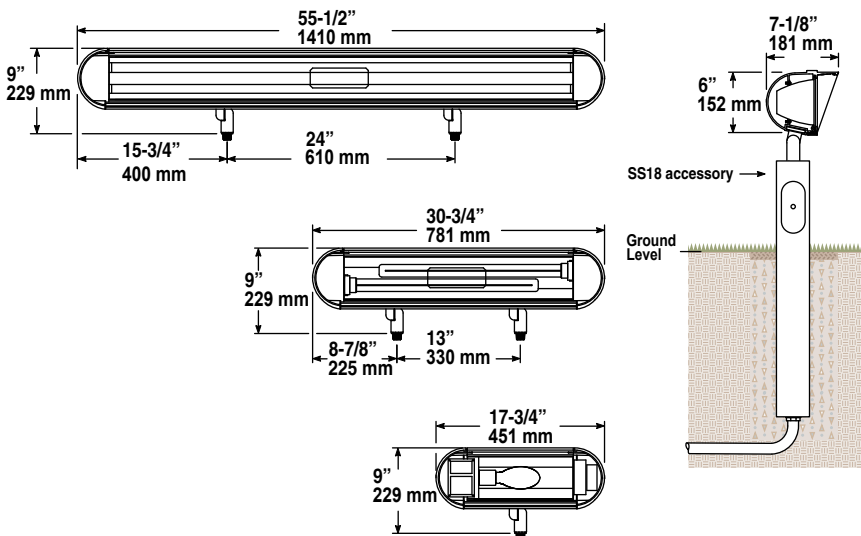
## Ordering Logic

Wattage/Lamp	Model No.	Voltage	Finish	Total Wattage	Lamp	Minimum Start Temp.	Lamp Base	Length
50W Metal Halide	FL7050MH	( )	( )	50W	E17	-20° F	Medium	17-3/4"
70W Metal Halide	FL7070MH	( )	( )	70W	E17	-20° F	Medium	17-3/4"
35W High Pressure Sodium	FL7035HPS	( )	( )	35W	E17	-20° F	Medium	17-3/4"
50W High Pressure Sodium	FL7050HPS	( )	( )	50W	E17	-20° F	Medium	17-3/4"
70W High Pressure Sodium	FL7070HPS	( )	( )	70W	E17	-20° F	Medium	17-3/4"
(2) 13W Fluorescent	FL7213F	( )	( )	26W	(2) PL13	32° F	GX23	17-3/4"
(2) 26W CFL	FL7226F	( )	( )	56W	(2) PL26	-20° F	GX24q-3	17-3/4"
(2) 32W CFL	FL7232F	( )	( )	64W	(2) CFL32	-20° F	GX24q-3	17-3/4"
32W Fluorescent	FL7032FCW	( )	( )	32W	T8	0° F	G13	55-1/2"
(2) 32W Fluorescent	FL7232F	( )	( )	64W	(2) T8	0° F	G13	55-1/2"
(2) 40W Fluorescent	FL7242F	( )	( )	80W	(2) BIAX CW	-20° F	2G11	30-3/4"
54W Fluorescent (Electronic)	FL7054F	( )	( )	54W	(1) T5	-20° F	G5	55-1/2"
(2) 54W Fluorescent (Electronic)	FL7254F	( )	( )	108W	(2) T5	-20° F	G5	55-1/2"

Note: Lamp not included.

Model No.	Voltage	Finish
<input type="text"/>	<input type="text"/>	<input type="text"/>

## Dimensions



Project Notes:

Approval:

Any dimension on this sheet is to be assumed a reference dimension and used for information purposes only. It does not govern manufacturing or inspection requirements.

## Bronzelite

100 Craftway Drive • Littlestown, PA 17340  
800 273-1569 • Fax 717 359-9545 www.bronzelite.com

Some luminaires use fluorescent or high intensity discharge (HID) lamps that contain small amounts of mercury. Such lamps are labeled "Contains Mercury" and/or with the symbol "Hg." Lamps that contain mercury must be disposed of in accordance with local requirements. Information regarding lamp recycling and disposal can be found at www.lamprecycle.org